

**TEQ LITE**  
INDOOR/OUTDOOR

**LITE  
OWNER'S  
MANUAL**

INFORMATION FOR USERS

ENGLISH (EU,US)

Before using or assembling the product read the document very carefully. Please keep the manual as you may need the included information in the future. The product is under international patent, trademark and copyright protection. If you cannot find the instructions in your language please visit [www.teqball.com](http://www.teqball.com)

**SPECIFICATIONS OF THE PRODUCT**  
 Unfolded dimensions: 3000x1700x900 [mm]  
 Total weight: max 110 kg

Folded dimensions: 760x1700x1800 [mm]

The product can be used by wheelchair users.



This product is certified by:

2001/95/EC General Product Safety Directive  
 EN 14468-1:2015 (where relevant)

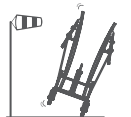


SAFETY AND WARNINGS

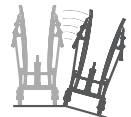
Please, follow closely these instructions when assembling the table; warranty claims are not valid if the assembly is faulty. Teq Lite table is a specially designed piece of sports equipment and it is not suitable for any other purposes.



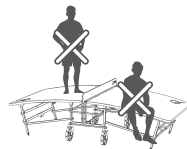
It is forbidden to use the table in extreme weather conditions.



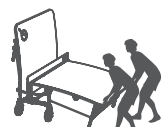
Please store the table sheltered from the wind as otherwise accidents can happen.



It is forbidden to keep the table on sloping ground either folded or unfolded.



It is forbidden to jump, stand, sit or lean on the table.



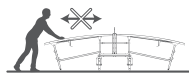
Folding up and down the heavy tabletop must be done by two people. Always keep your back straight when lifting.



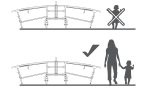
Do not touch the moving elements during moving or folding up/down the table.



Do not use in case of missing or defective parts.



It is forbidden to move the table in unfolded position.



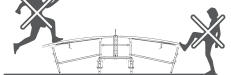
Do not leave children unsupervised around the table (including setting-up and storing periods as well).



It is forbidden to store the table without locking the wheel.



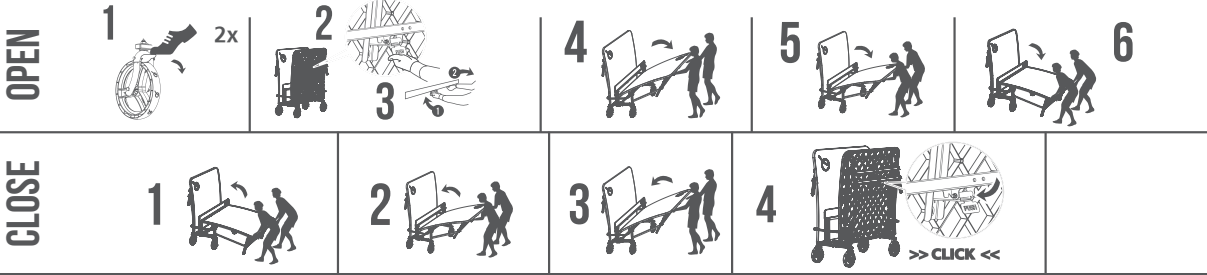
Warranty void if seal broken or removed.



It is forbidden to jump on or kick the table.

HANDLING & MAINTENANCE

The Teq Lite table must be set up properly. This is not only for better gameplay experience but also for your safety. Please follow these instructions:



Clean the surface with warm water and use a mop (DO NOT use any abrasive sponges). Regular maintenance is essential to keep the Teq Lite table safe and reliable. At least twice a month check all screws, nuts to ensure that they function properly. During the periods when your Teq Lite is out of use, it is recommended to fold up the tabletops, cover the product and store it indoors. This way you will have a better chance to avoid weather-caused damages such as fading of the tabletop or corrosion of the steel structure. Replacing any component with an improper part makes the table unsafe. Always use original Teq Lite components for replacements! In case of any question please contact us on [support@teqball.com](mailto:support@teqball.com)

TEQBALL PRODUCT WARRANTY (EU,US)

Teqball is proud to provide the following warranty (the "Warranty") on its high quality products to its consumer Customers, beyond any other legal remedies or warranties that they may have under applicable law. Risks/costs covered by the Warranty: latent product defects relating to materials and/or workmanship; shipping, packaging, handling and customs fees relating to product repair or replacement; repair costs; Risks/costs excluded from the Warranty: product surface damage (except paint damage or rust caused by manufacturing defects, which are covered); damage caused by misuse, neglect, accident; damage caused by not following any instruction in the Owner's Manual; normal wear and tear; damage suffered in transport; damage suffered during or after a repair or installation by unlicensed third parties; potential, indirect, incidental, special, punitive or consequential damage, even if informed of the possibility of such beforehand;

**Warranty period:** 2 (two) calendar years from date of delivery to the Customer; **Warranty claim window:** unless otherwise specified in applicable law, 10 (ten) calendar days from the date damage was noticed or should have been noticed; **Proof of claimed damage or costs:** photo or video of damage accompanied by photo of serial number; costs substantiated by written documentation; **Format of warranty claim:** email to [support@teqball.com](mailto:support@teqball.com) or fax to +353 (85) 748 5613, including (a) proof of claimed damage or costs, (b) proof of purchase including date of purchase, and (c) proof of resale if resold to another consumer;

**Remedy of warranty claim:** within 20 business days of receipt of a valid warranty claim, Teqball shall provide, at the Customer's option and at Teqball's expense, either (1) a full refund of the purchase price to Customer's bank account located in the country of purchase, (2) replacement with a table in the same range shipped to Customer's address located in the country of purchase or (3) repair or replacement of a damaged part (at Teqball's discretion). In each case, Teqball may reclaim the damaged table or part.

**Claims after warranty period:** beyond the warranty period, Teqball provides quality repair services through its network of certified professionals, at the Customer's cost. No distributor or agent may vary the terms of this Warranty. If the terms of this Warranty contradict the terms of a sales contract entered into by Teqball, the conditions specified in such contract shall prevail.

PRODUCT LIABILITY

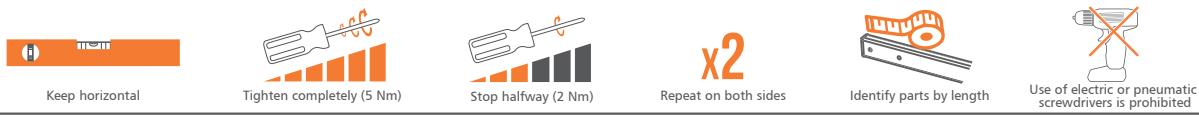
The Teqball product you have purchased (the "Product") is manufactured to the highest industry and safety standards (including EN 14468-1:2015; UL 962) and Teqball constantly performs quality and safety testing to ensure that these standards are maintained or exceeded. Nevertheless, no product, especially one with heavy or moving parts, is completely risk free.

**SERIOUS INJURY OR DEATH MAY RESULT FROM NOT FOLLOWING THE INSTRUCTIONS IN THE OWNER'S MANUAL. IN WHICH CASE TEQBALL AND ITS ASSOCIATED ENTITIES AND PERSONNEL DECLINE ALL LIABILITY IN ALL CIRCUMSTANCES, AND TO THE FULLEST EXTENT ALLOWED BY APPLICABLE LAW, TEQBALL'S LIABILITY RELATING TO DIRECT DAMAGE SUFFERED IN RELATION TO THE PRODUCT SHALL BE LIMITED TO (1) \$100,000 (ONE HUNDRED THOUSAND USD) OR (2) ACTUAL SUBSTANTIATED DAMAGES, WHICHEVER IS LOWER.**

**NO LIMITATION OF LIABILITY SHALL APPLY TO INJURY OR DEATH CAUSED BY TEQBALL'S GROSS NEGLIGENCE OR TO ANY OTHER DAMAGE THAT MAY NOT BE LIMITED BY APPLICABLE LAW, IN ALL CIRCUMSTANCES, AND TO THE GREATEST EXTENT ALLOWED BY APPLICABLE LAW, TEQBALL DECLINES ALL POTENTIAL, INDIRECT, SPECIAL, INCIDENTAL, PUNITIVE OR CONSEQUENTIAL DAMAGE SUFFERED IN RELATION TO THE PRODUCT, EVEN IF INFORMED OF THE POSSIBILITY OF SUCH BEFOREHAND.**

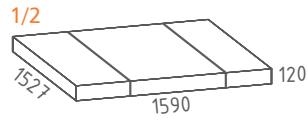
Any liability claim must be substantiated by documentary evidence recorded within 5 calendar days of sustaining the damage and submitted to [legal@teqball.com](mailto:legal@teqball.com) (or by fax to +353 (85) 748 5613) within 10 business days of the same date, unless longer claim windows are provided by applicable law.

PICTOGRAM DESCRIPTION

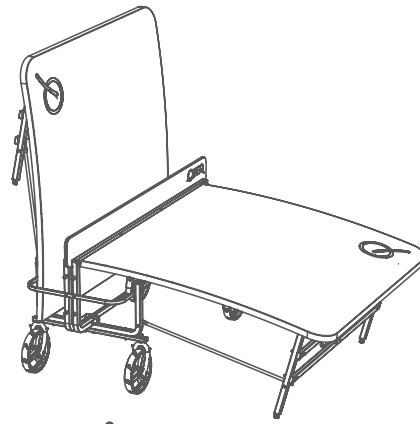
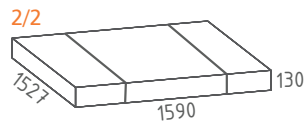




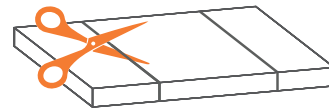
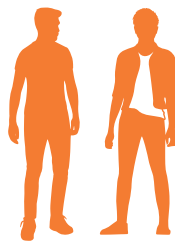
1x 64kg



1x 66kg



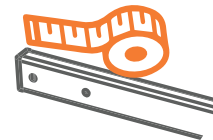
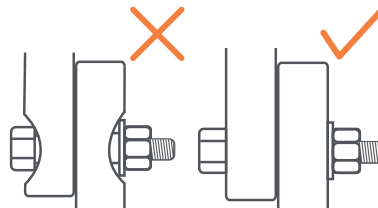
111kg

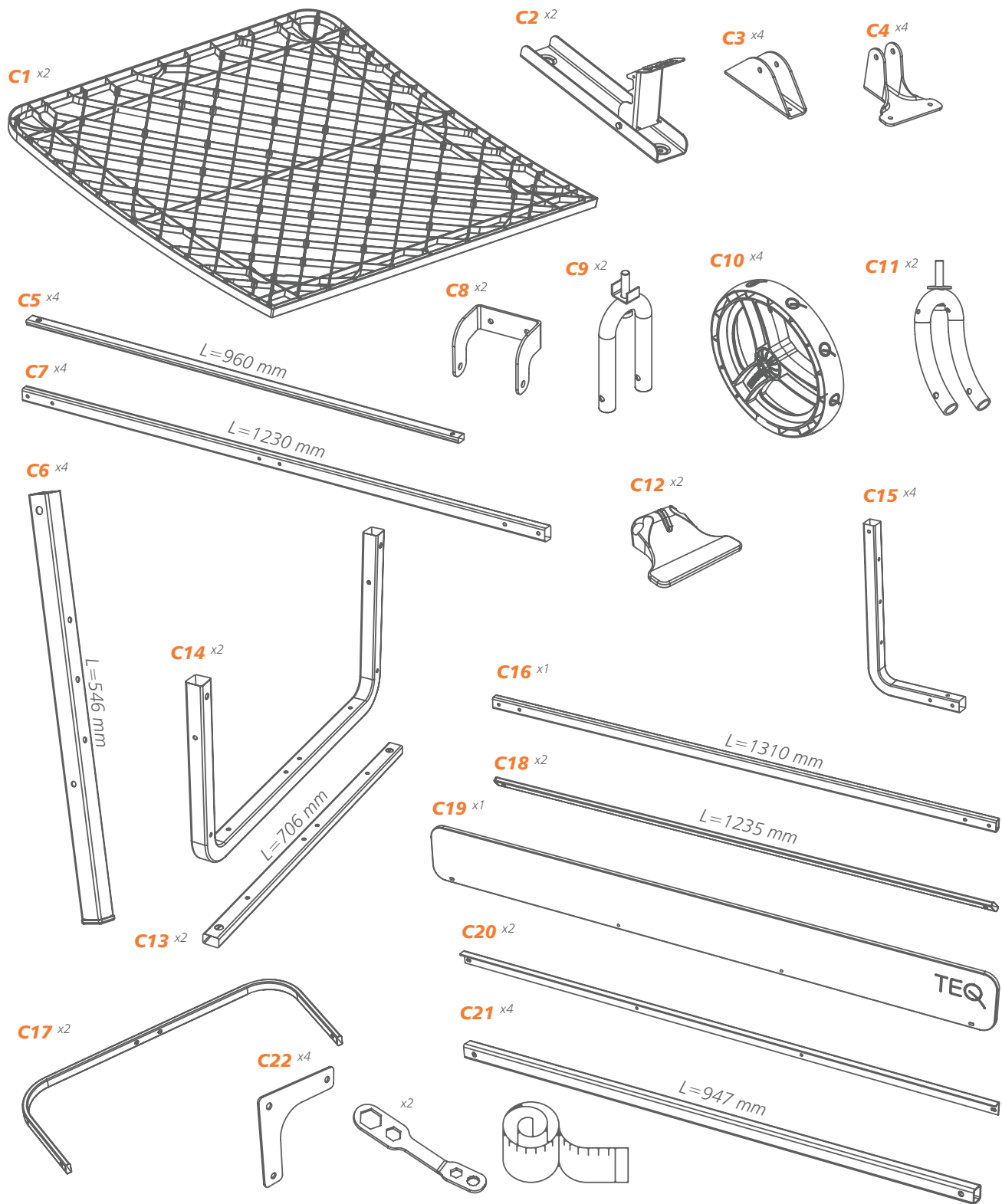


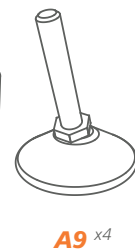
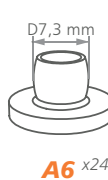
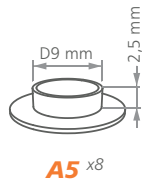
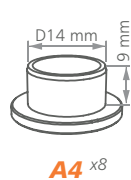
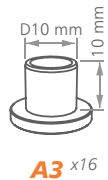
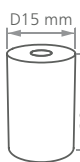
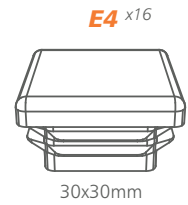
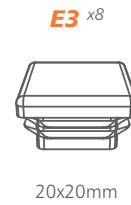
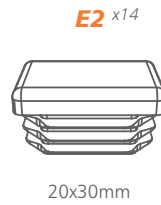
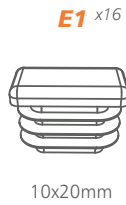
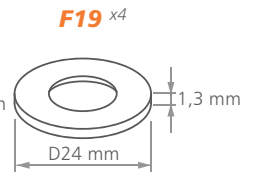
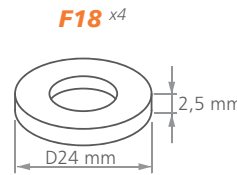
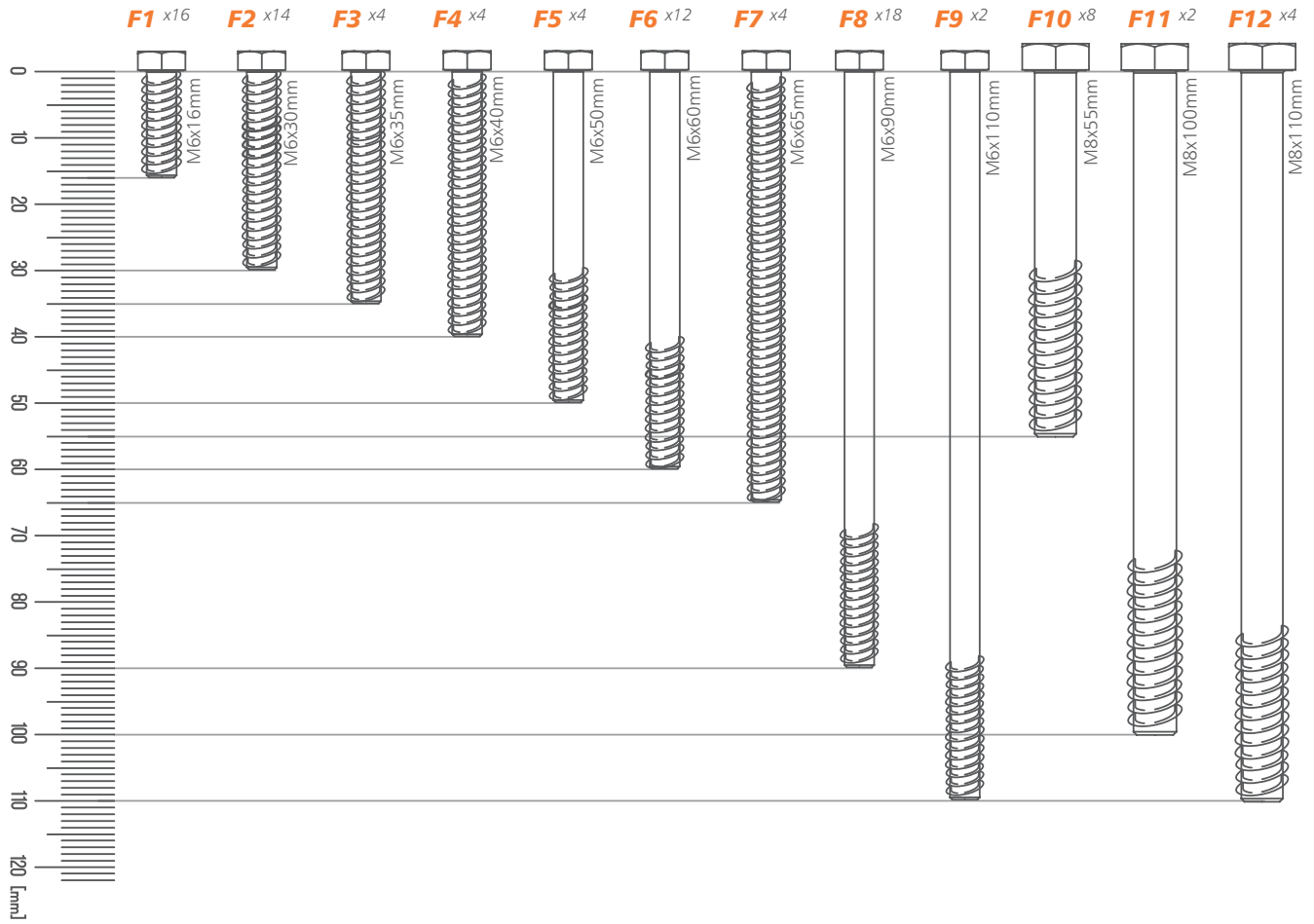
5 Nm



2 Nm

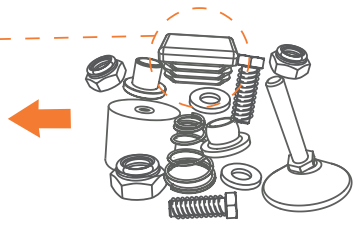
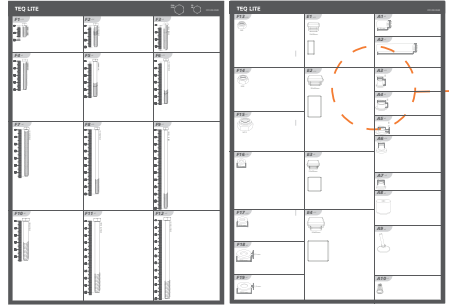




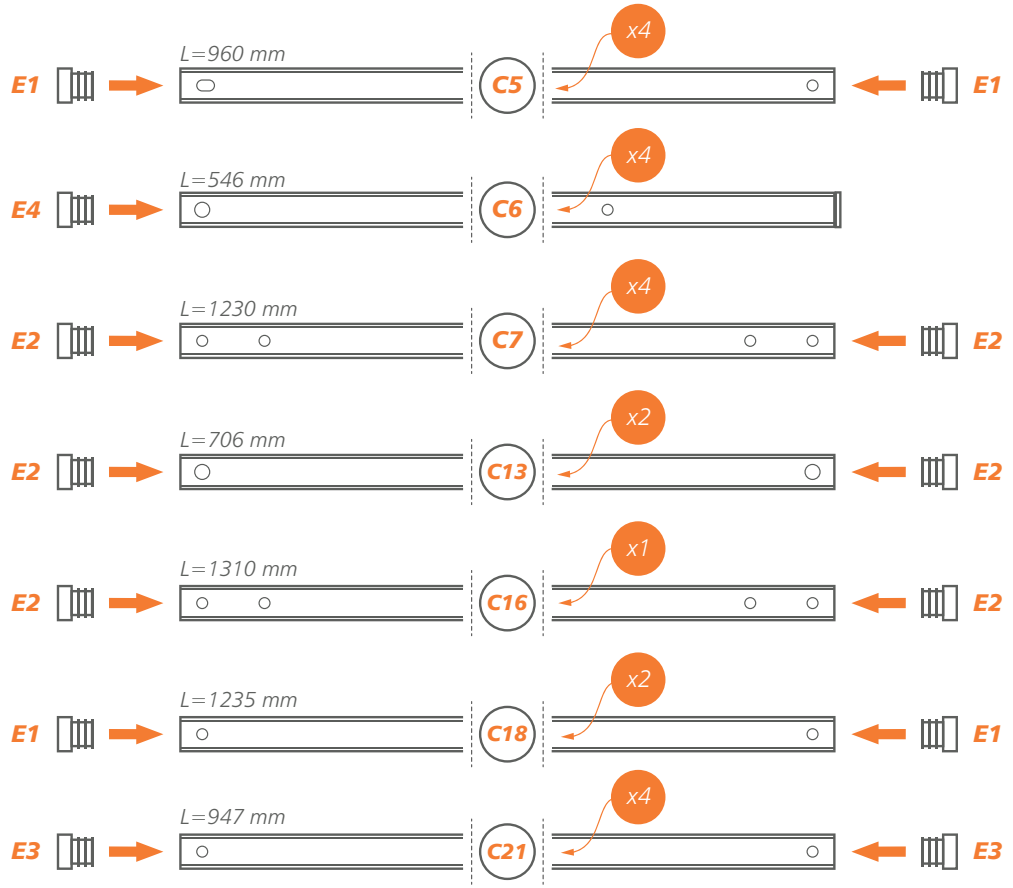




0.



1.



F18 -  
F19



F17



F10 -  
F12



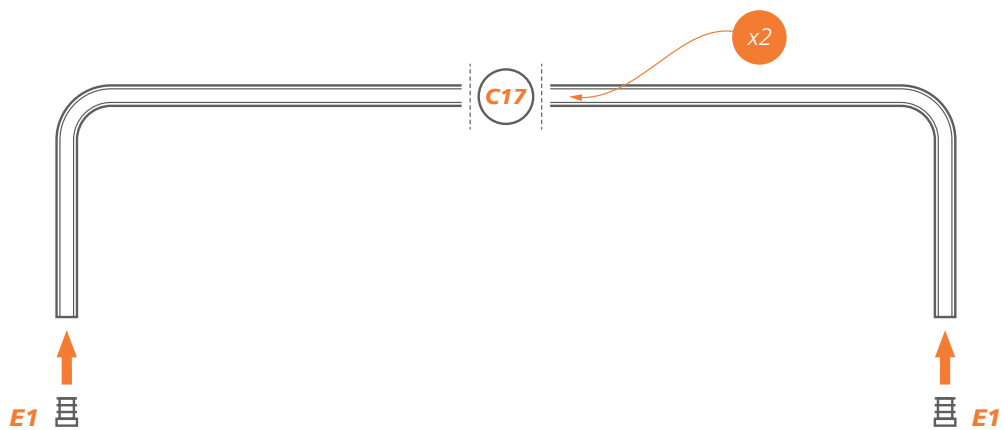
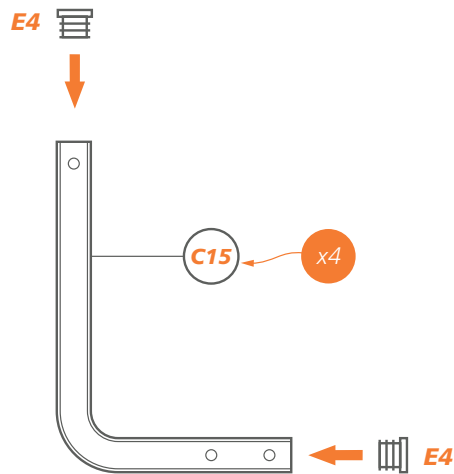
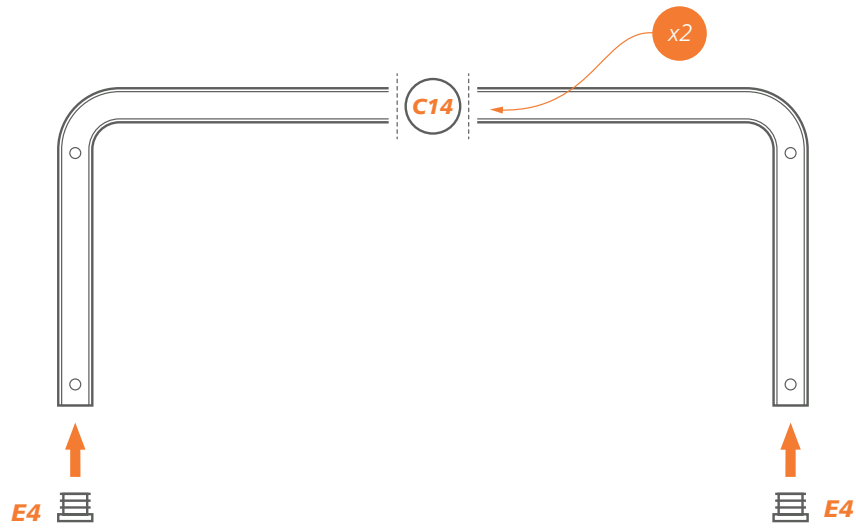
F16



F1 -  
F9



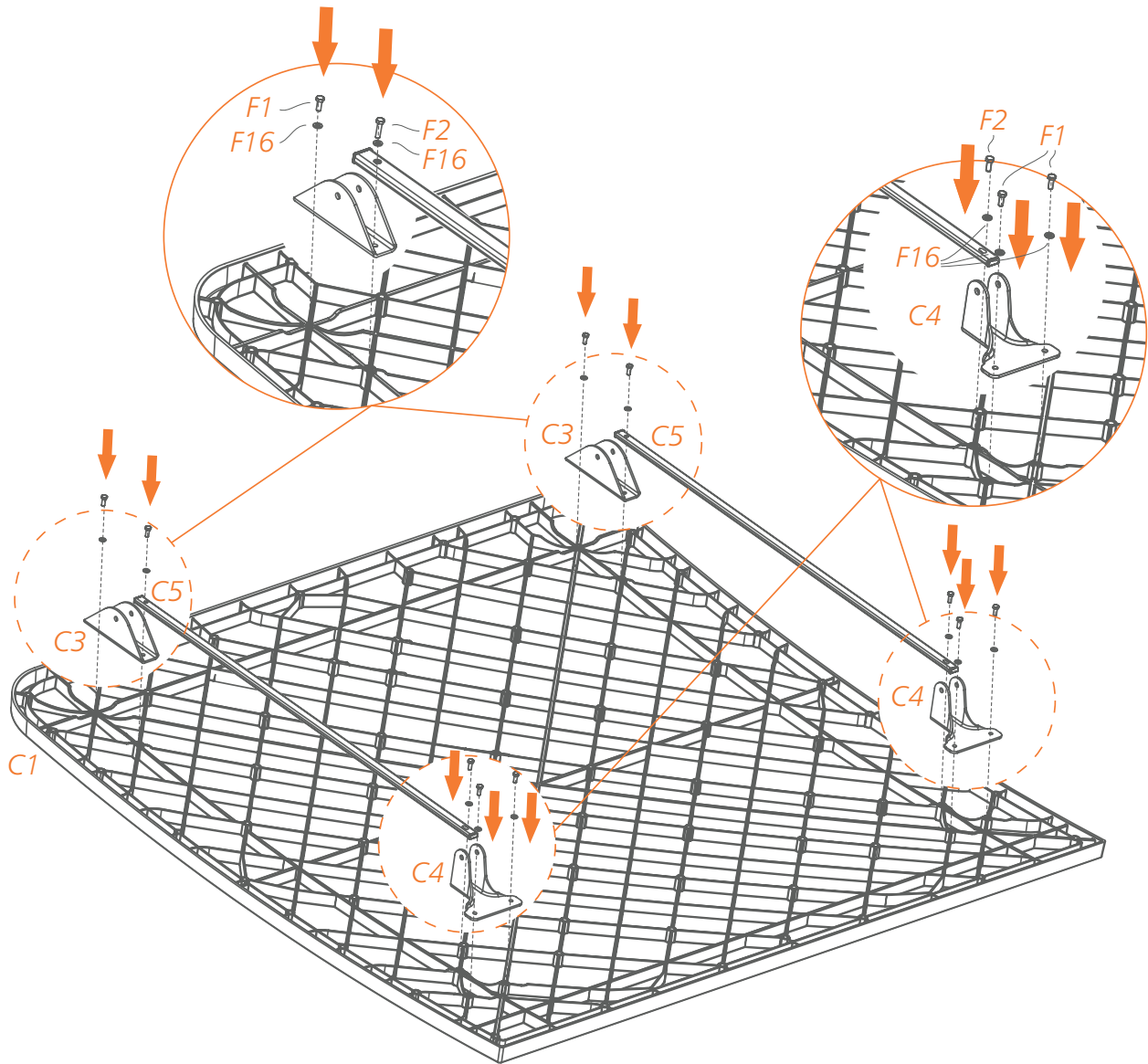
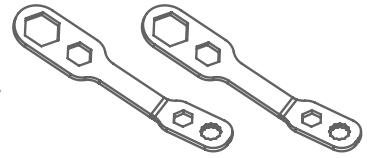
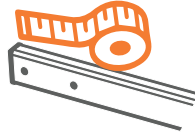
TEQ LITE



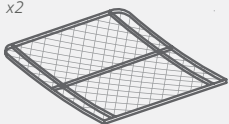


2.

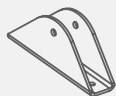
x2



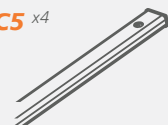
Σ C1 x2



C3 x4



C5 x4



L=960mm

C4 x4



F16 x20



D12

F1 x12 M6x16  
F2 x8 M6x30





F18 -  
F19



F17



F10 -  
F12



F16



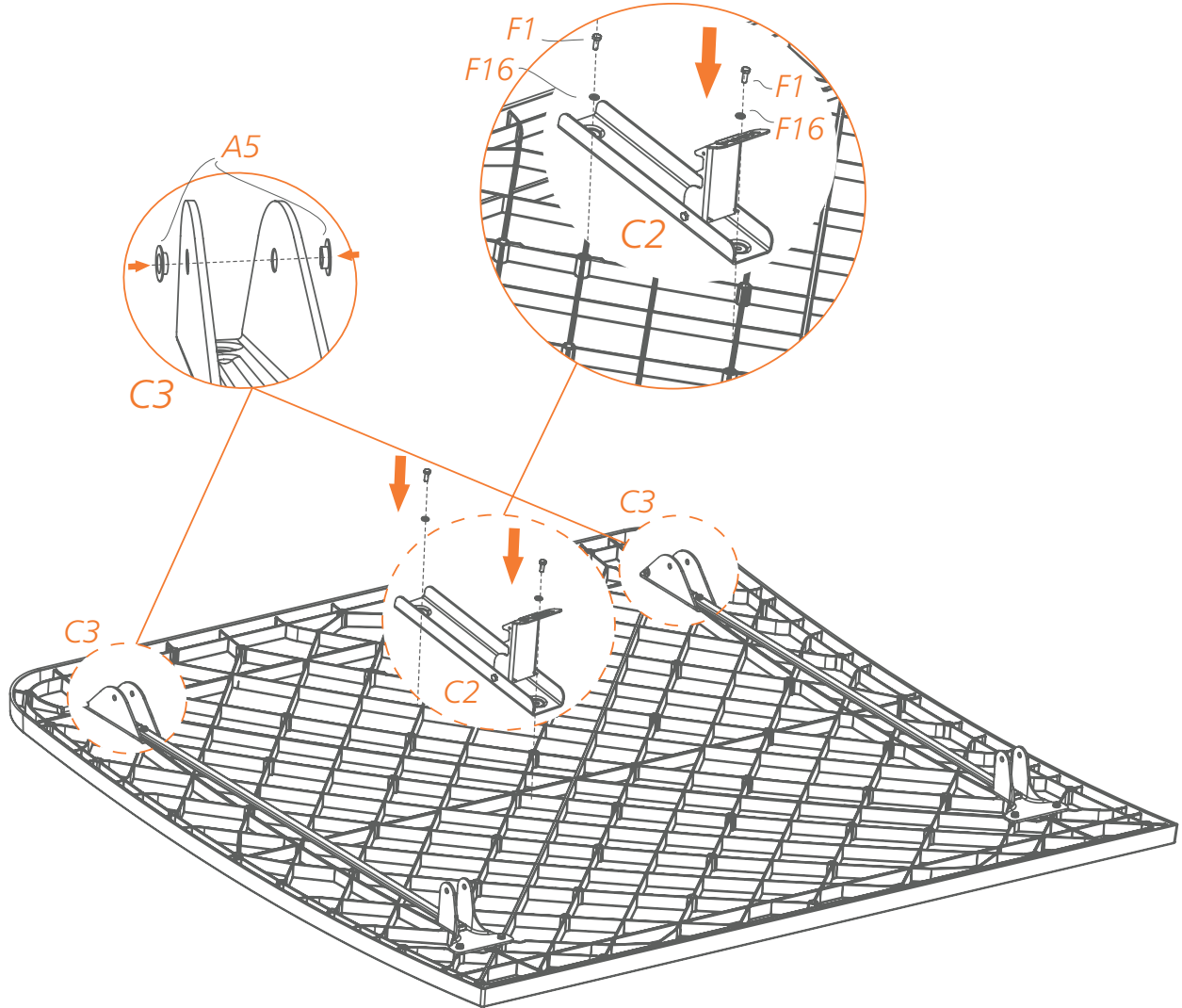
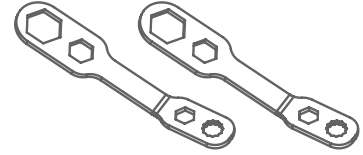
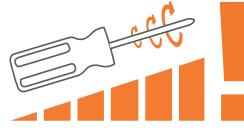
F1 -  
F9



TEQ LITE

3.

x2



$\Sigma$  F16 x4



D12

F1 x4

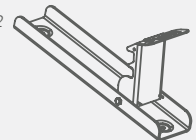


M6x16

A5 x8

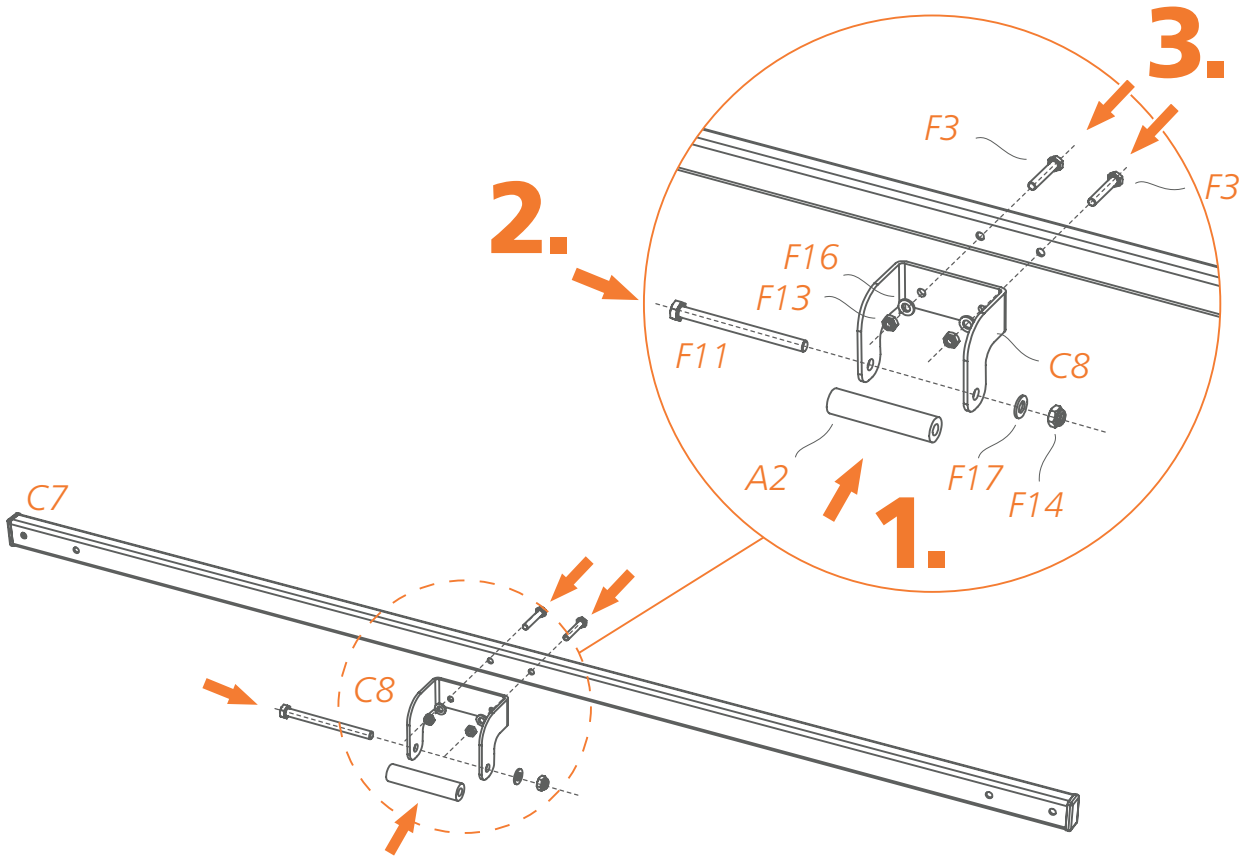
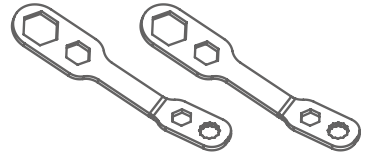
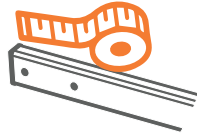
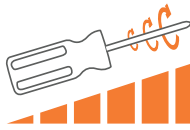


C2 x2





**4.** x2

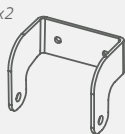


$\Sigma$  C7 x2

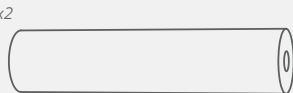


L=1230mm

C8 x2



A2 x2



F16 x4 D12  
F17 x2 D16



F13 x4 M6  
F14 x2 M8



F3 x4 M6x35  
F11 x2 M8x100



F18 -  
F19



F17



F10 -  
F12



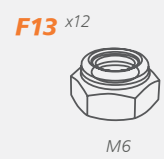
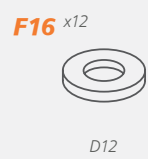
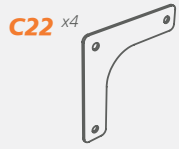
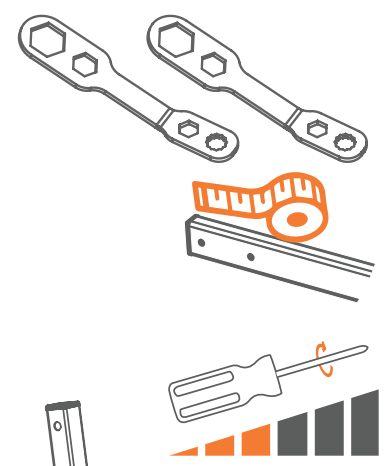
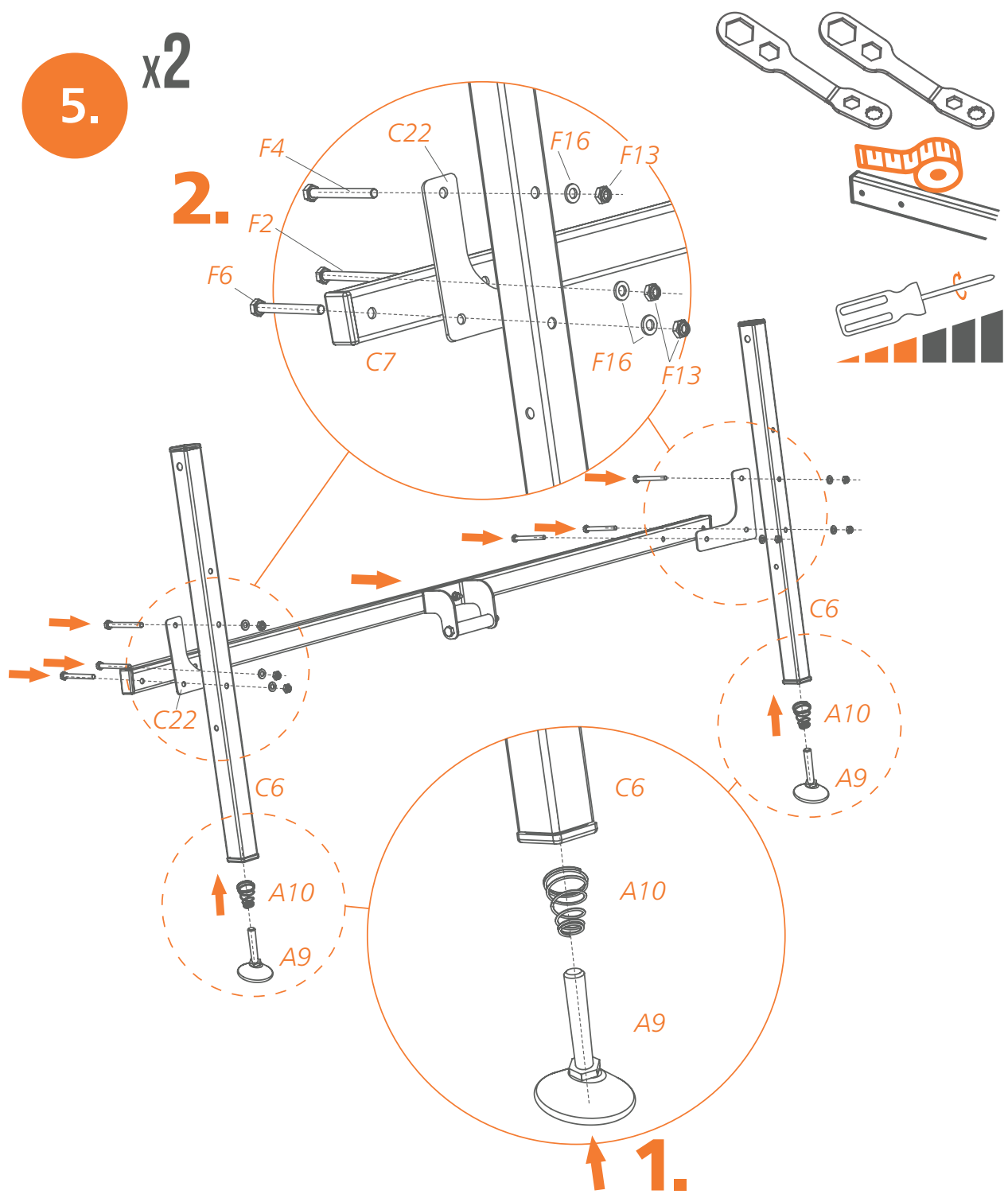
F16



F1 -  
F9



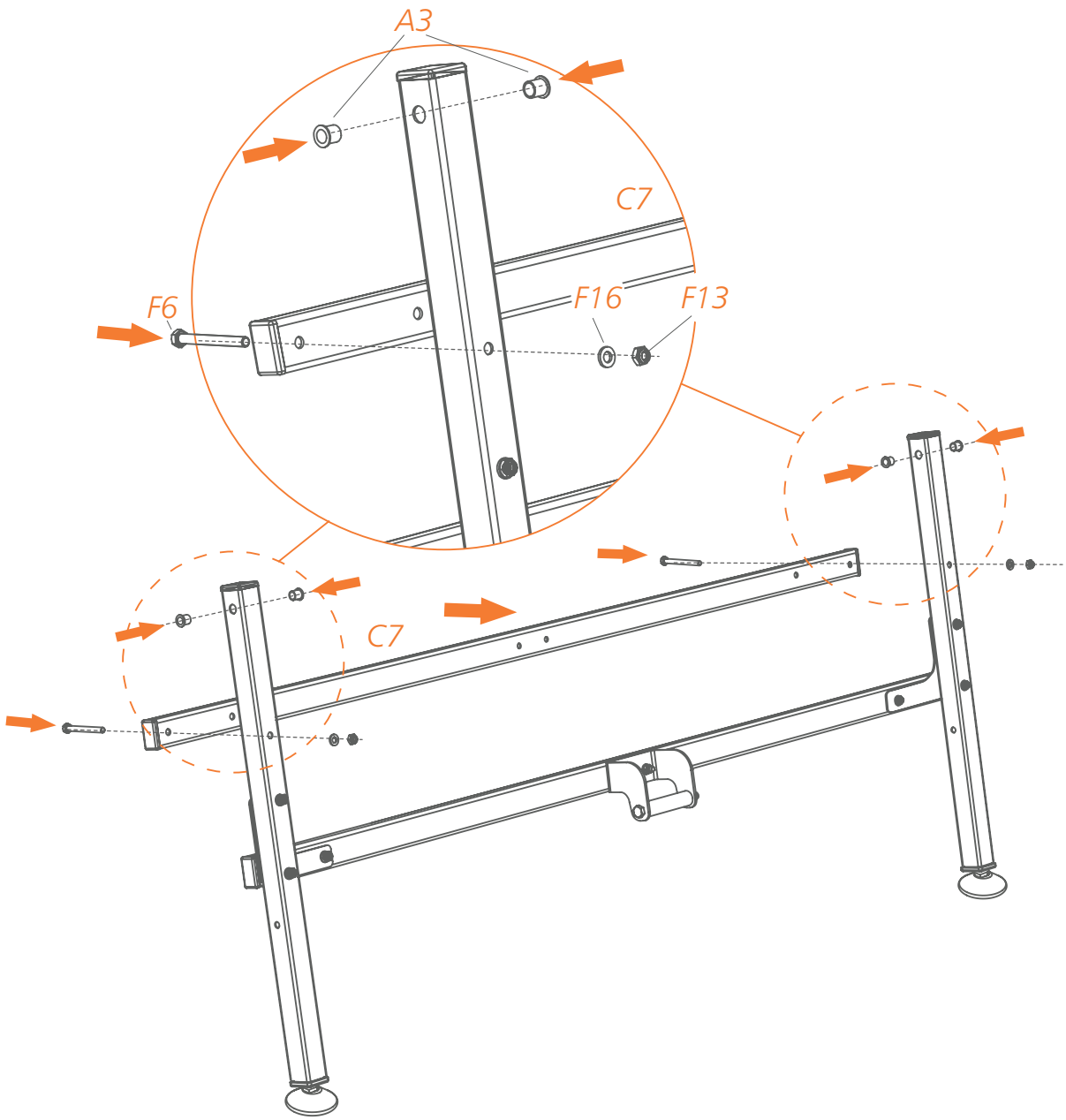
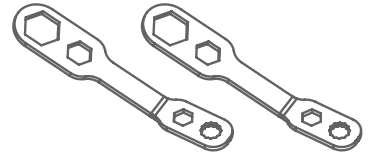
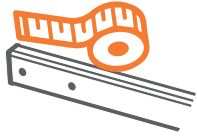
5. x2





6.

x2



$\Sigma$  C7 x2



L=1230mm

A3 x8



F16 x4



D12

F13 x4



M6

F6 x4



M6x60

F18 -  
F19



F17



F10 -  
F12



F16

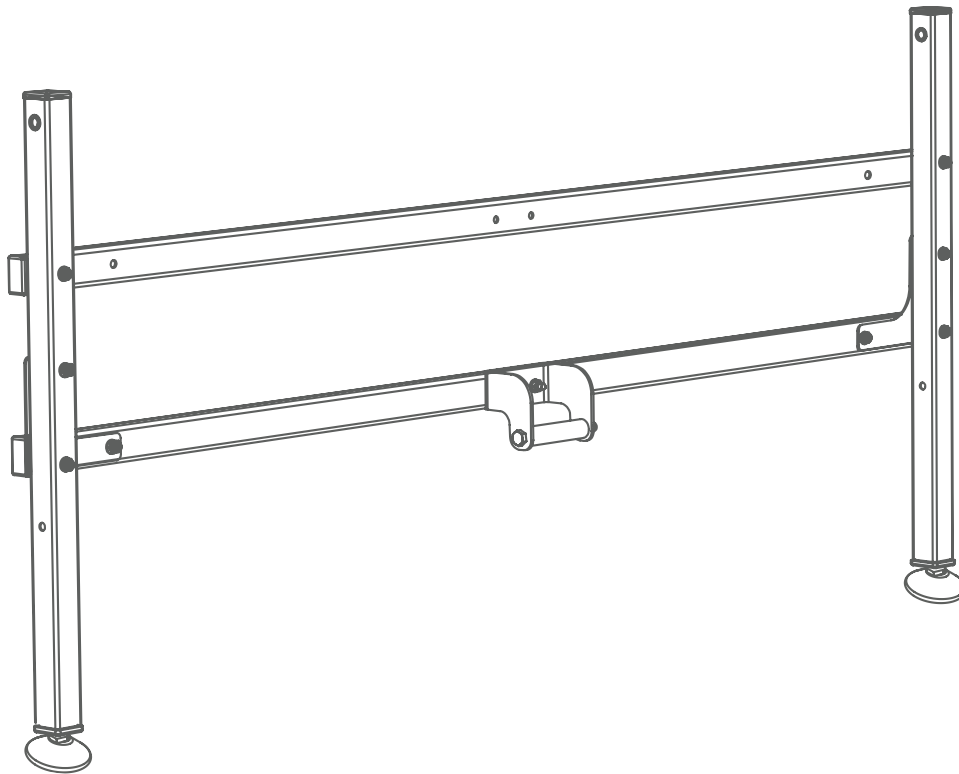
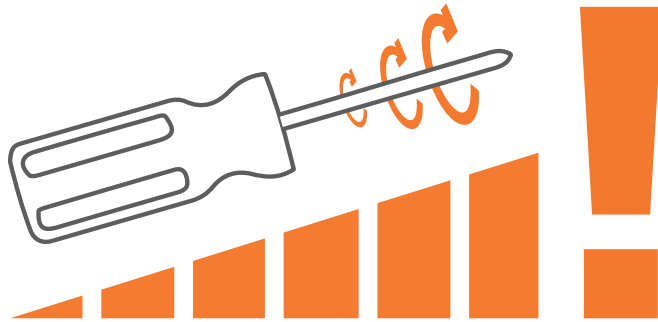


F1 -  
F9



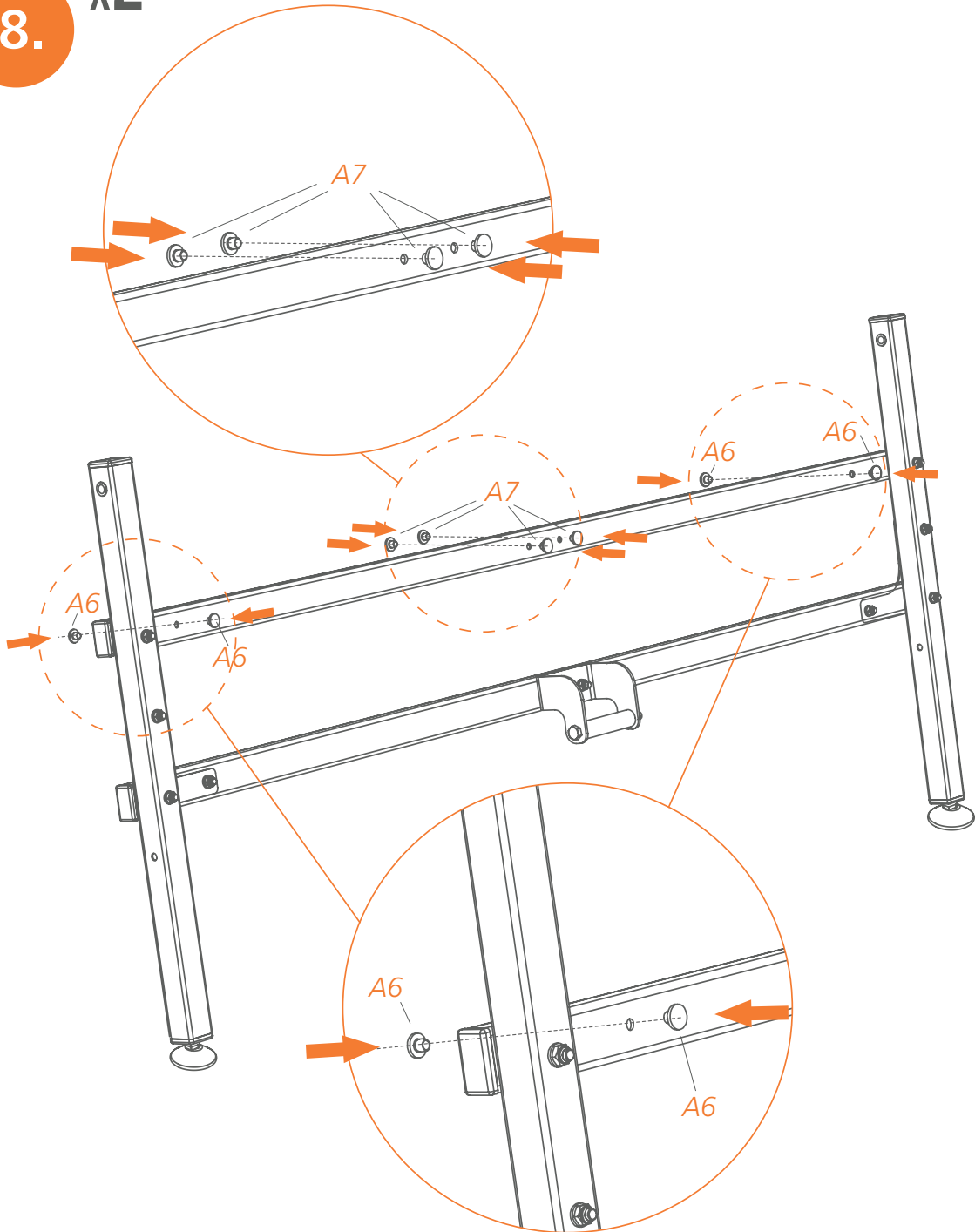
TEQ LITE

7.





**8.** x2



$\Sigma$  A7 x8



A6 x8



F18 -  
F19



F17



F10 -  
F12



F16

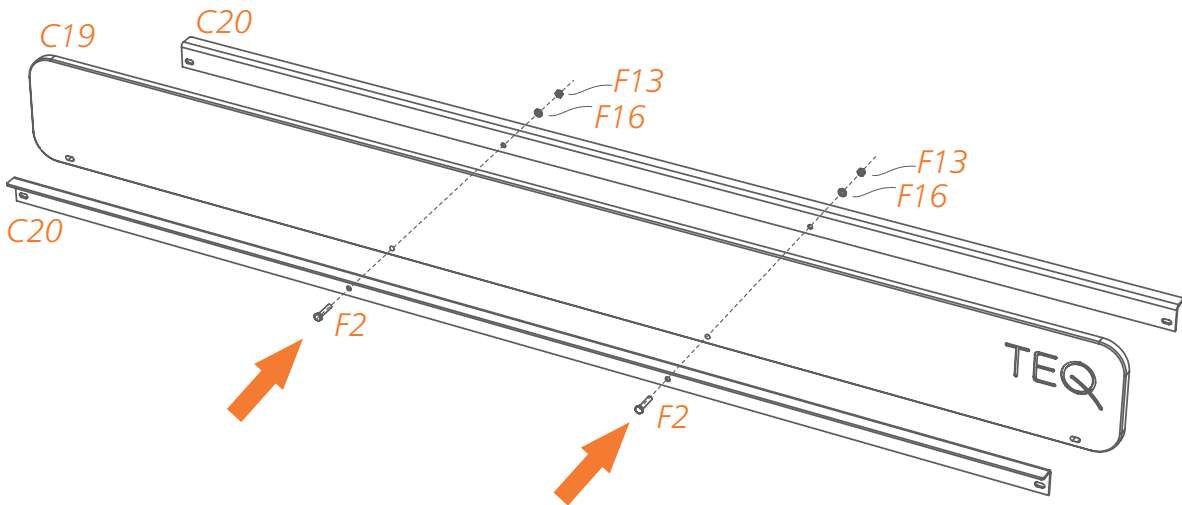
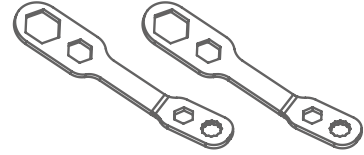
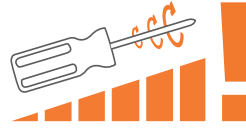


F1 -  
F9

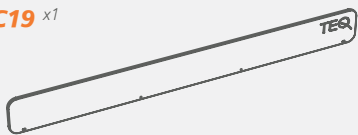


TEQ LITE

9. x1



Σ C19 x1



C20 x2



F16 x2



D12

F13 x2



M6

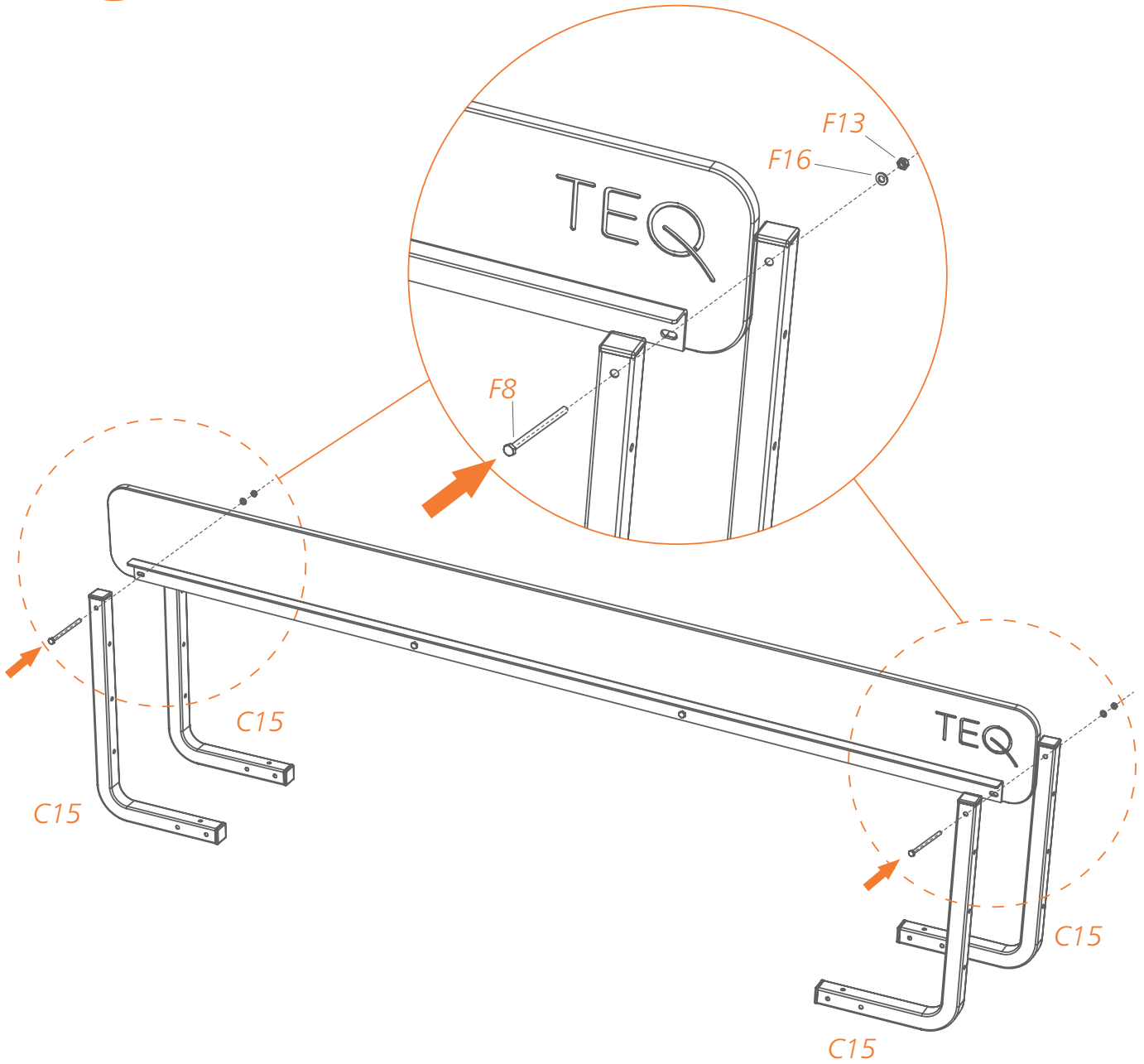
F2 x2



M6x30



10. x1



$\Sigma$  C15 x4



F16 x2



D12

F13 x2



M6

F8 x2



M6x90



F18 -  
F19



F17



F10 -  
F12



F16

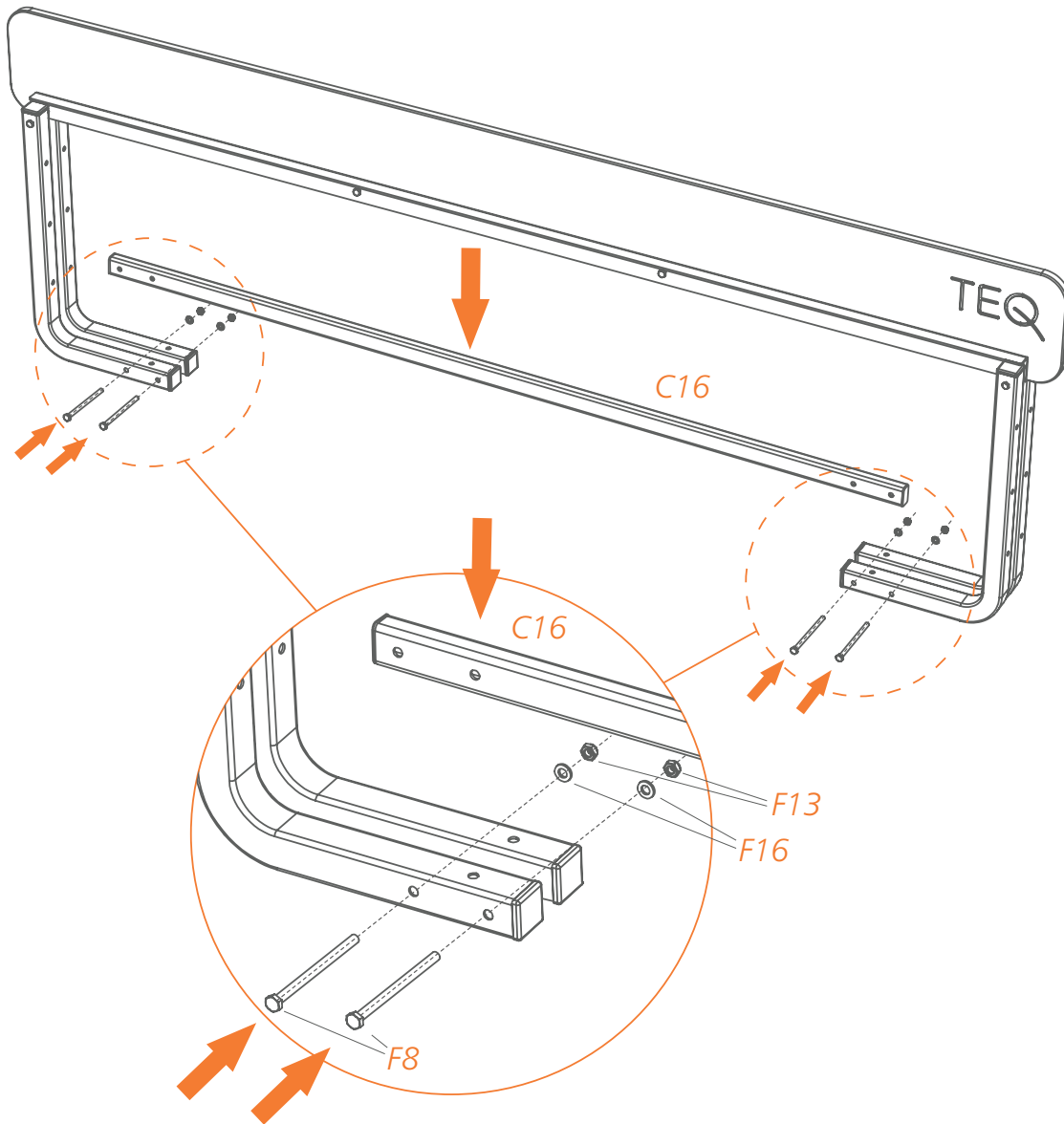
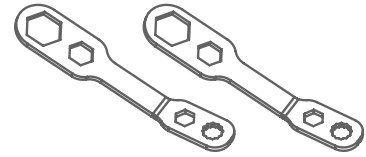


F1 -  
F9



TEQ LITE

11. x1



$\Sigma$  C16 x1



L=1310mm

F16 x4



D12

F13 x4



M6

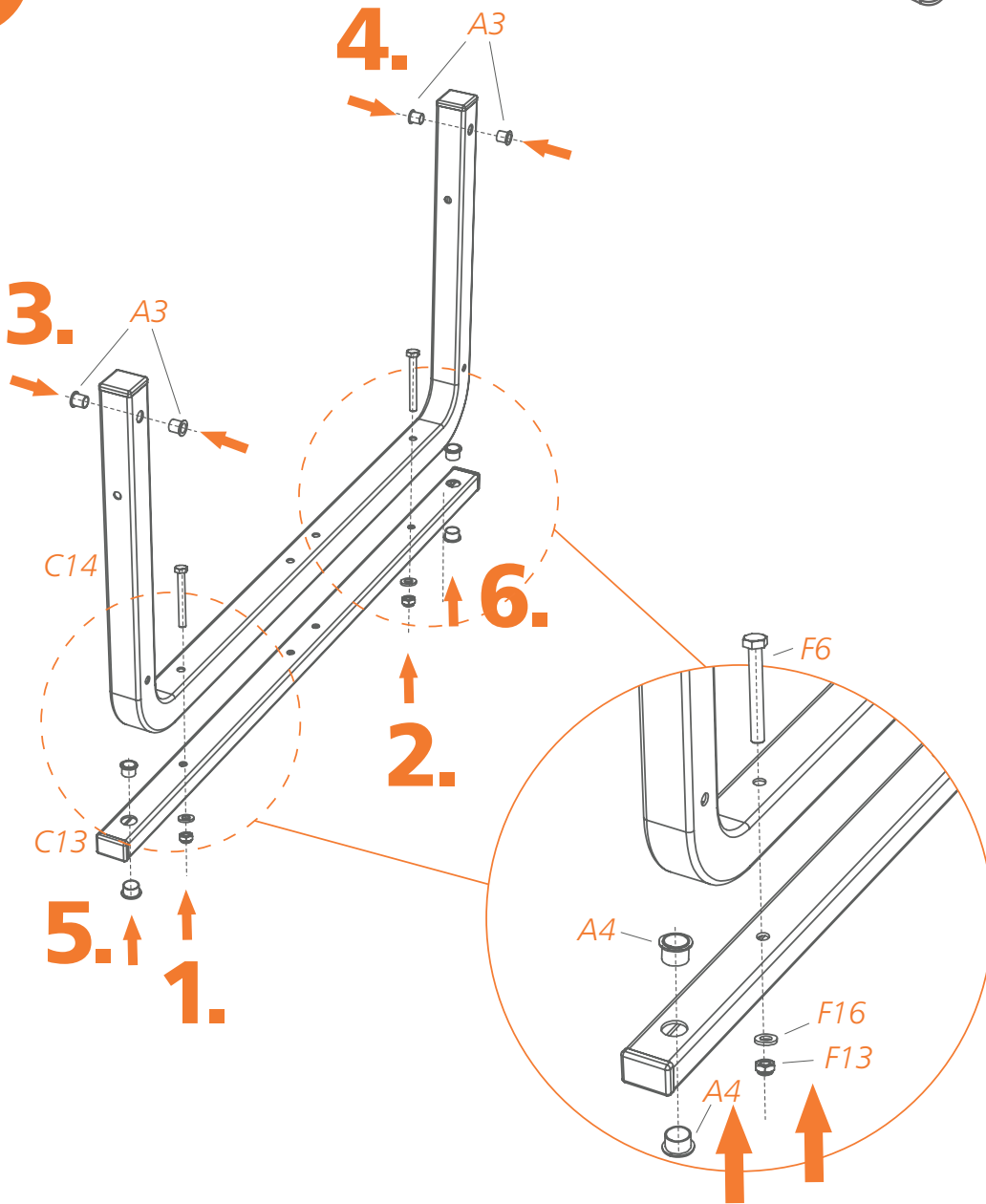
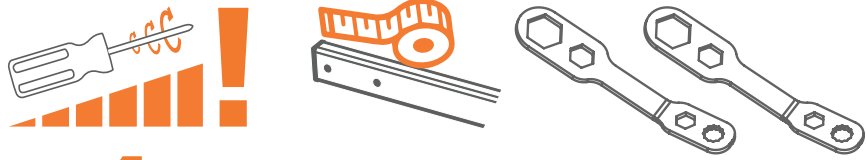
F8 x4



M6x90



12. x2



Σ A3 x8



A4 x8

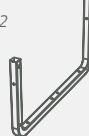


C13 x2



L=706mm

C14 x2



F16 x4



D12

F13 x4



M6

F6 x4



M6x60

F18 -  
F19



F17



F10 -  
F12



F16

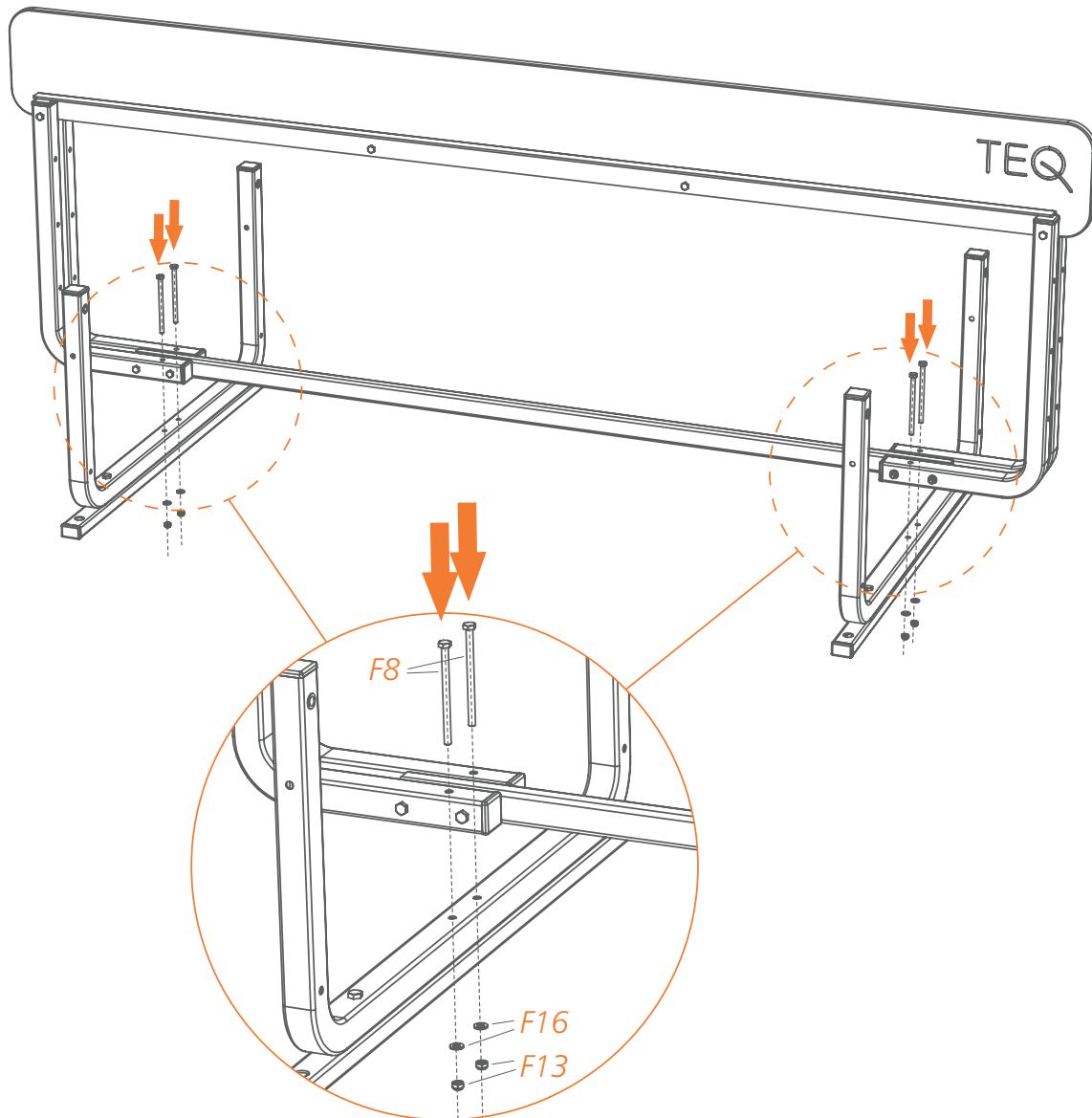
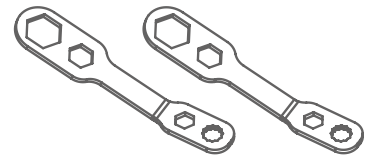
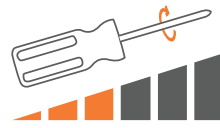


F1 -  
F9



TEQ LITE

13. x1



$\Sigma$  F16 x4



D12

F13 x4



M6

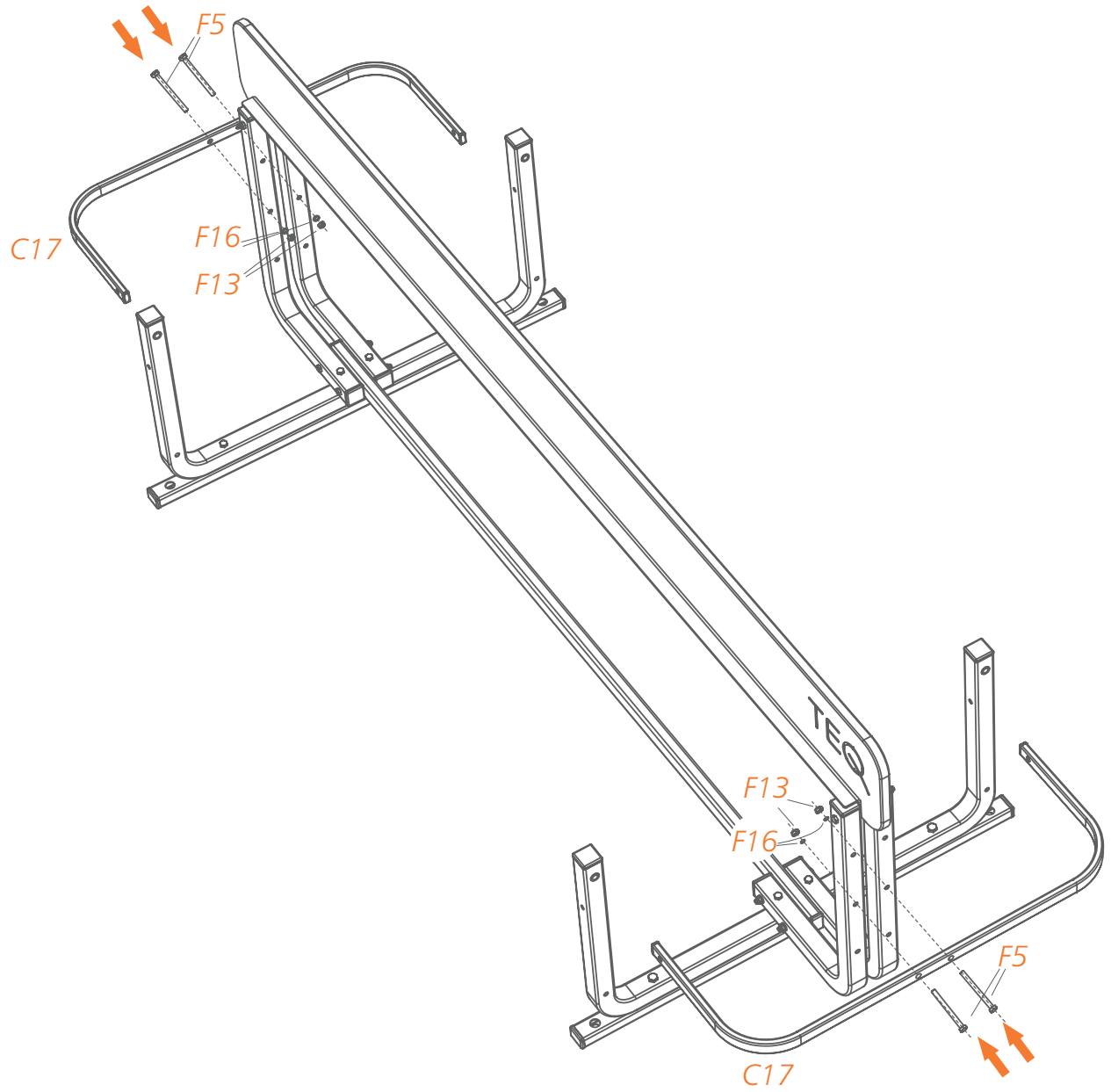
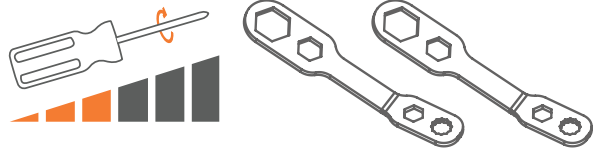
F8 x4



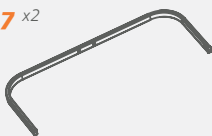
M6x90



**14.** x1



$\Sigma$  C17 x2



F16 x4



D12

F13 x4



M6

F5 x4



M6x50

F18 -  
F19



F17



F10 -  
F12



F16



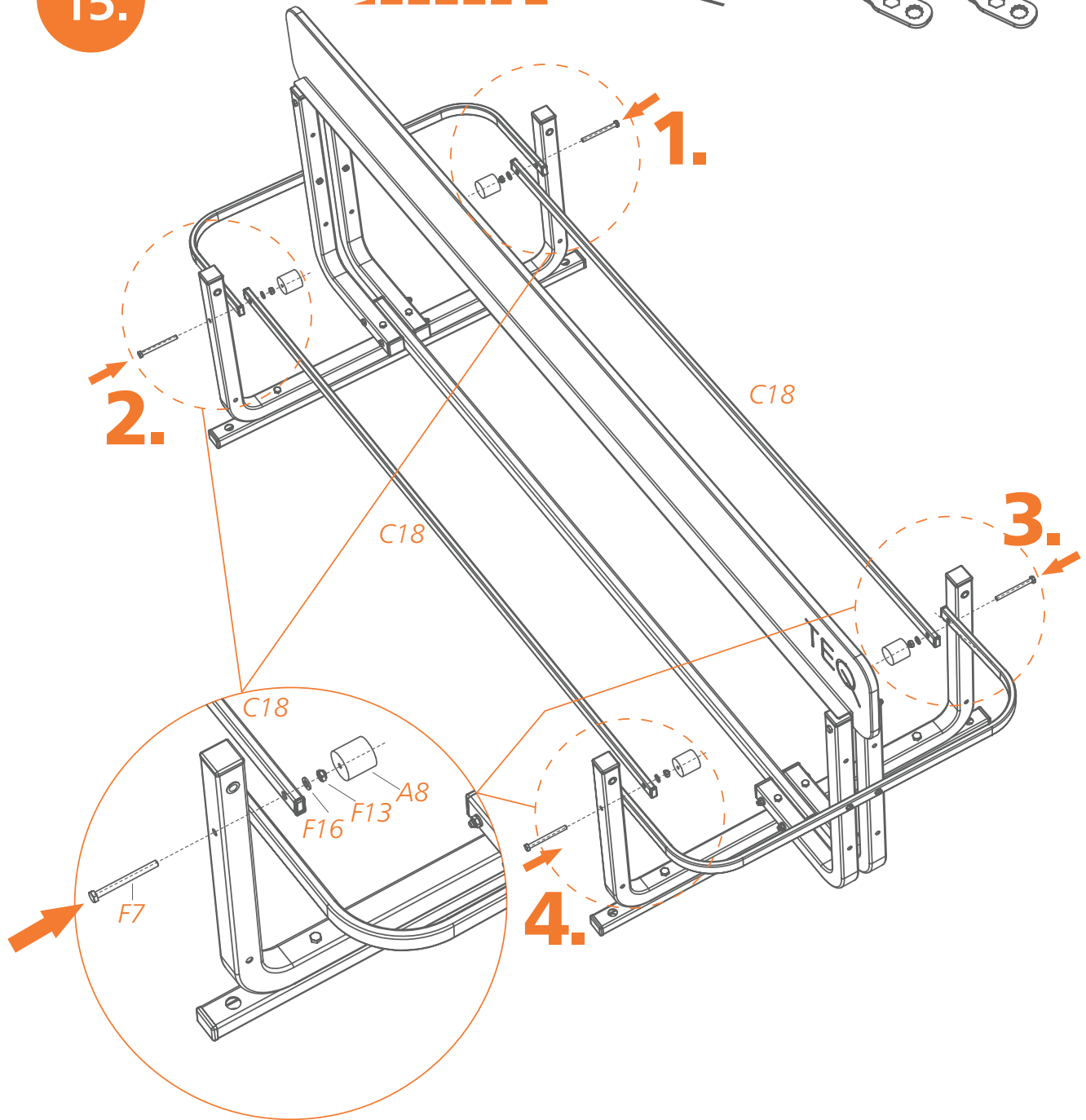
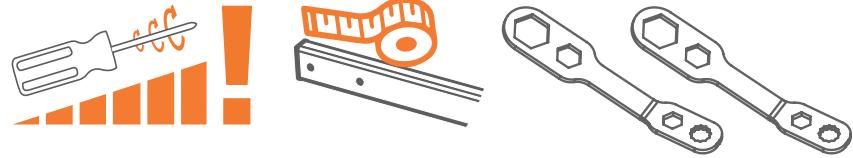
F1 -  
F9



TEQ LITE

15.

x1



Σ C18 x2



L=1235mm

A8 x4



F16 x4



D12

F13 x4



M6

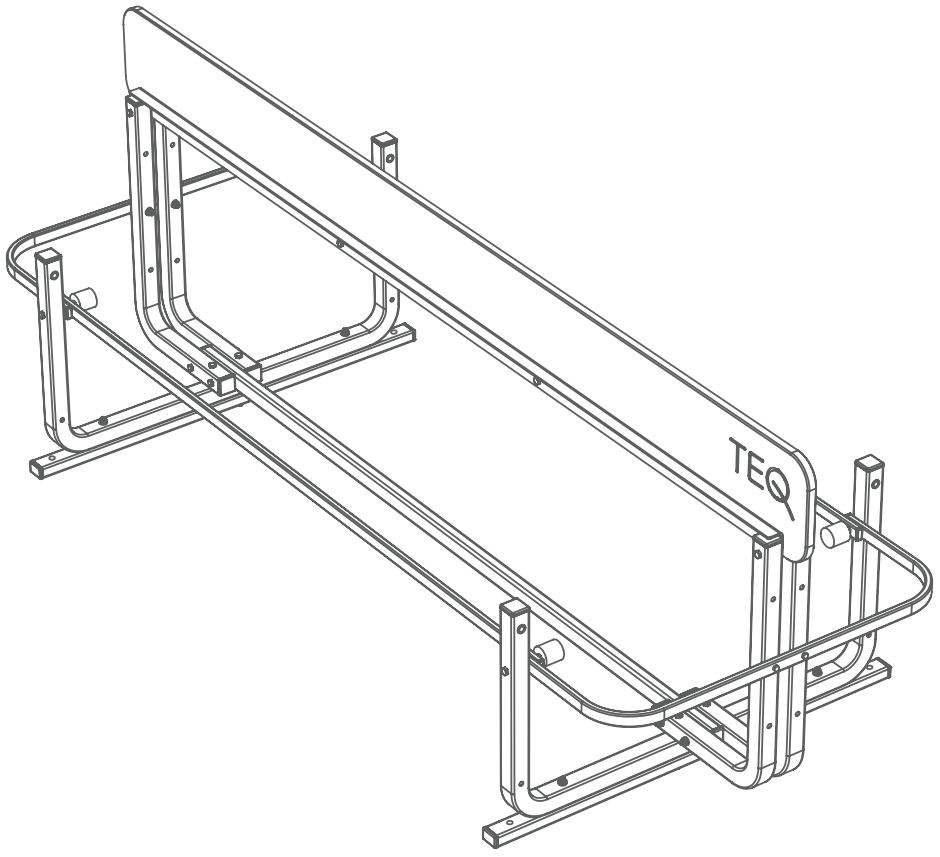
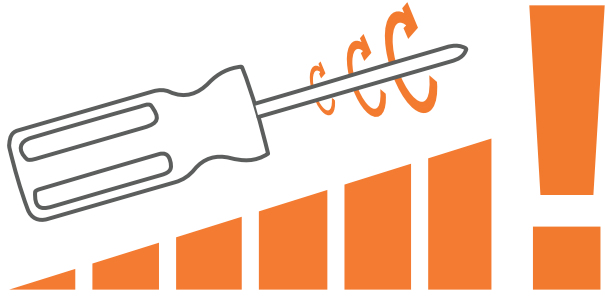
F7 x4



M6x65



16.



F18 -  
F19



F17



F10 -  
F12



F16

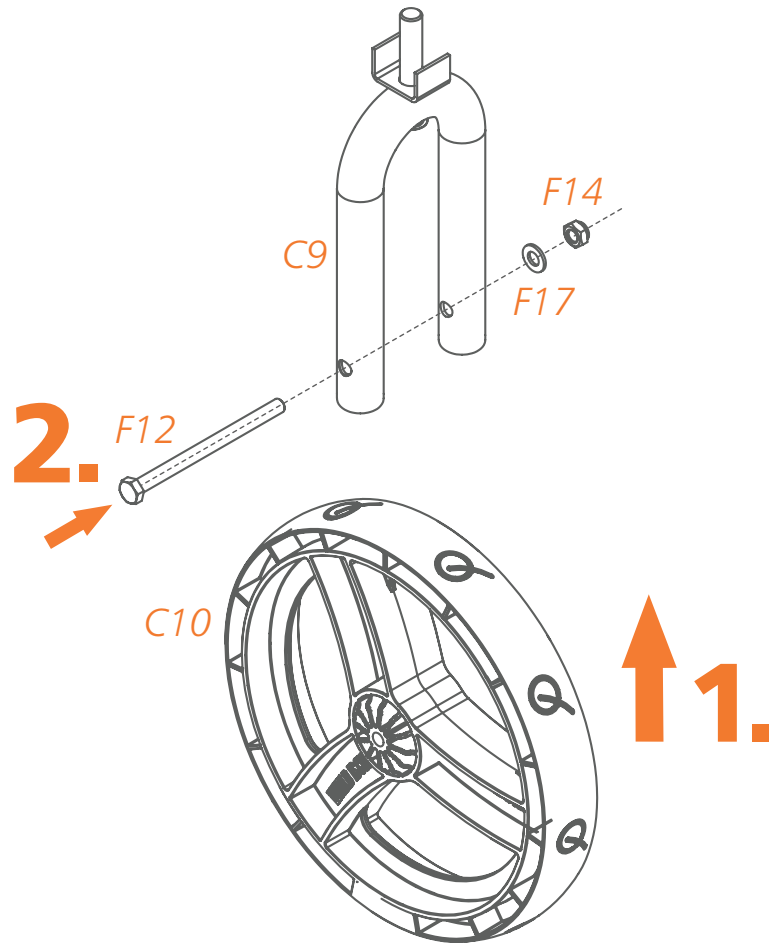


F1 -  
F9



TEQ LITE

17. x2



Σ C9 x2



C10 x2



F17 x2



D16

F14 x2



M8

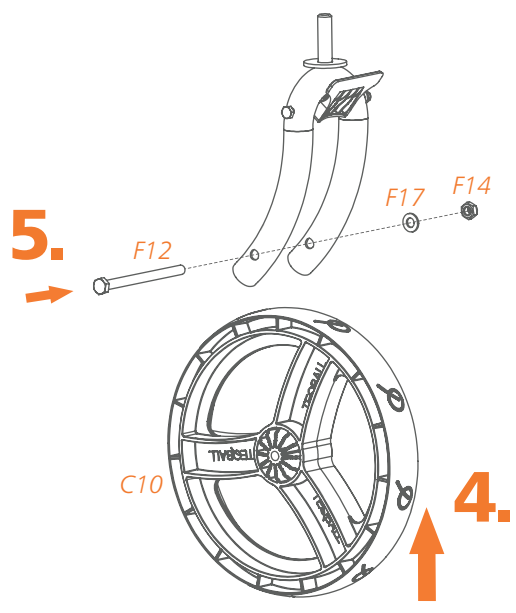
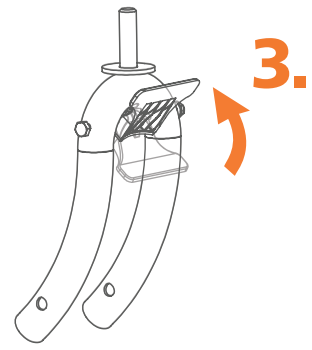
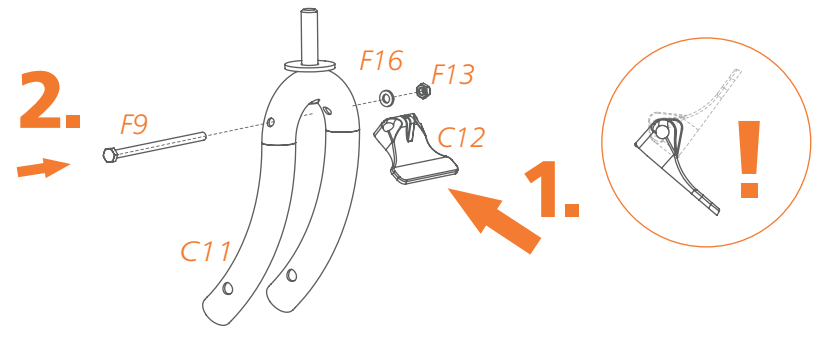
F12 x2



M8x110



**18.** x2



- Σ C11 x2


- C12 x2


- C10 x2


- F16 x2 D12  
F17 x2 D16

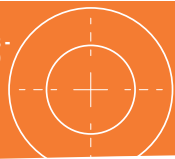

- F13 x2 M6  
F14 x2 M8


- F9 x2 M6x110  
F12 x2 M8x110





F18 -  
F19



F17



F10 -  
F12



F16

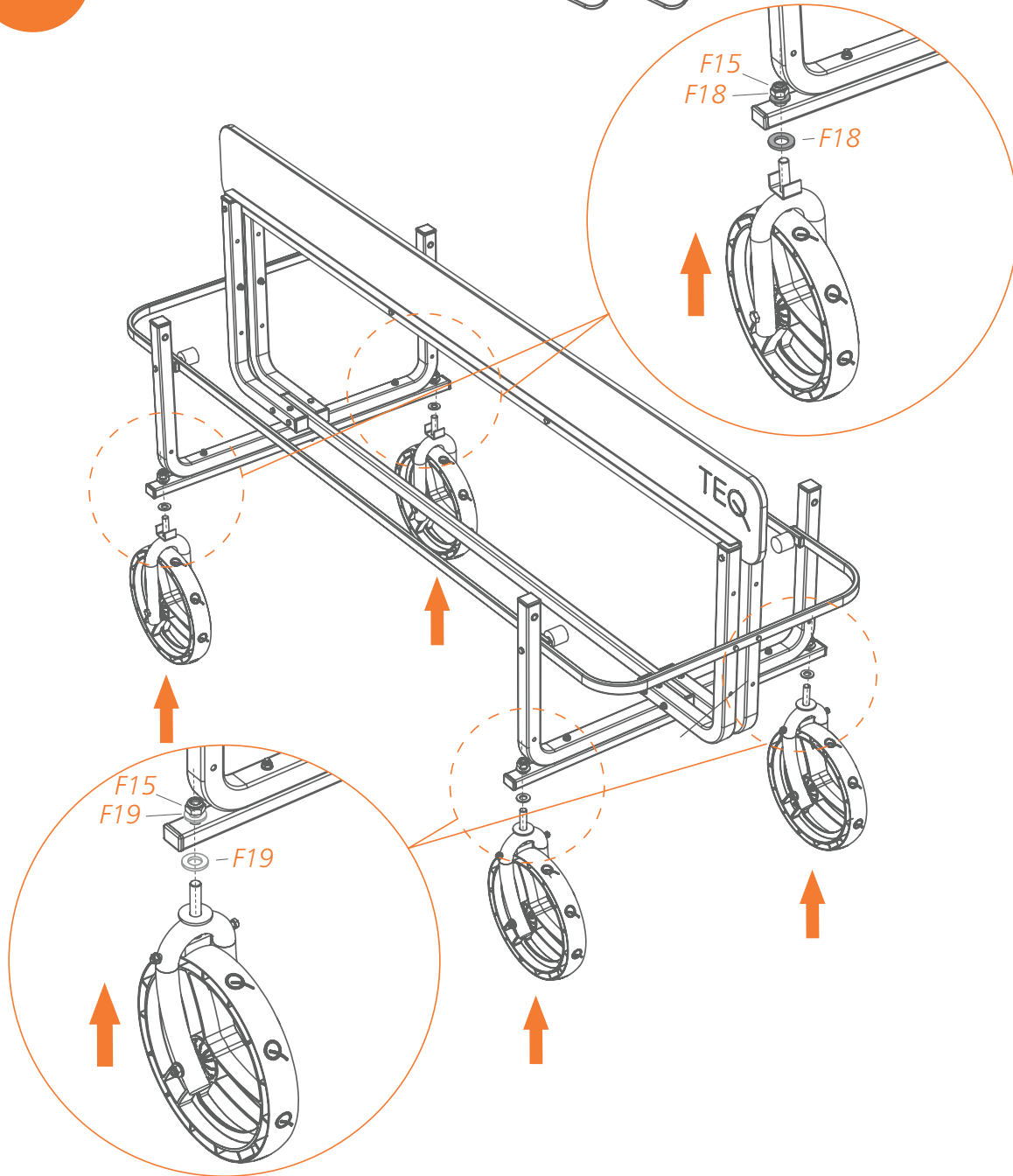
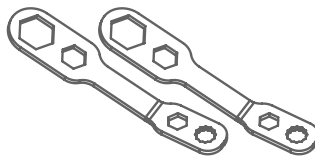
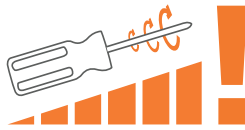


F1 -  
F9

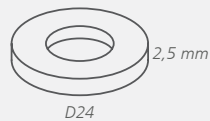


19.

x1



$\Sigma$  F18 x4



F19 x4

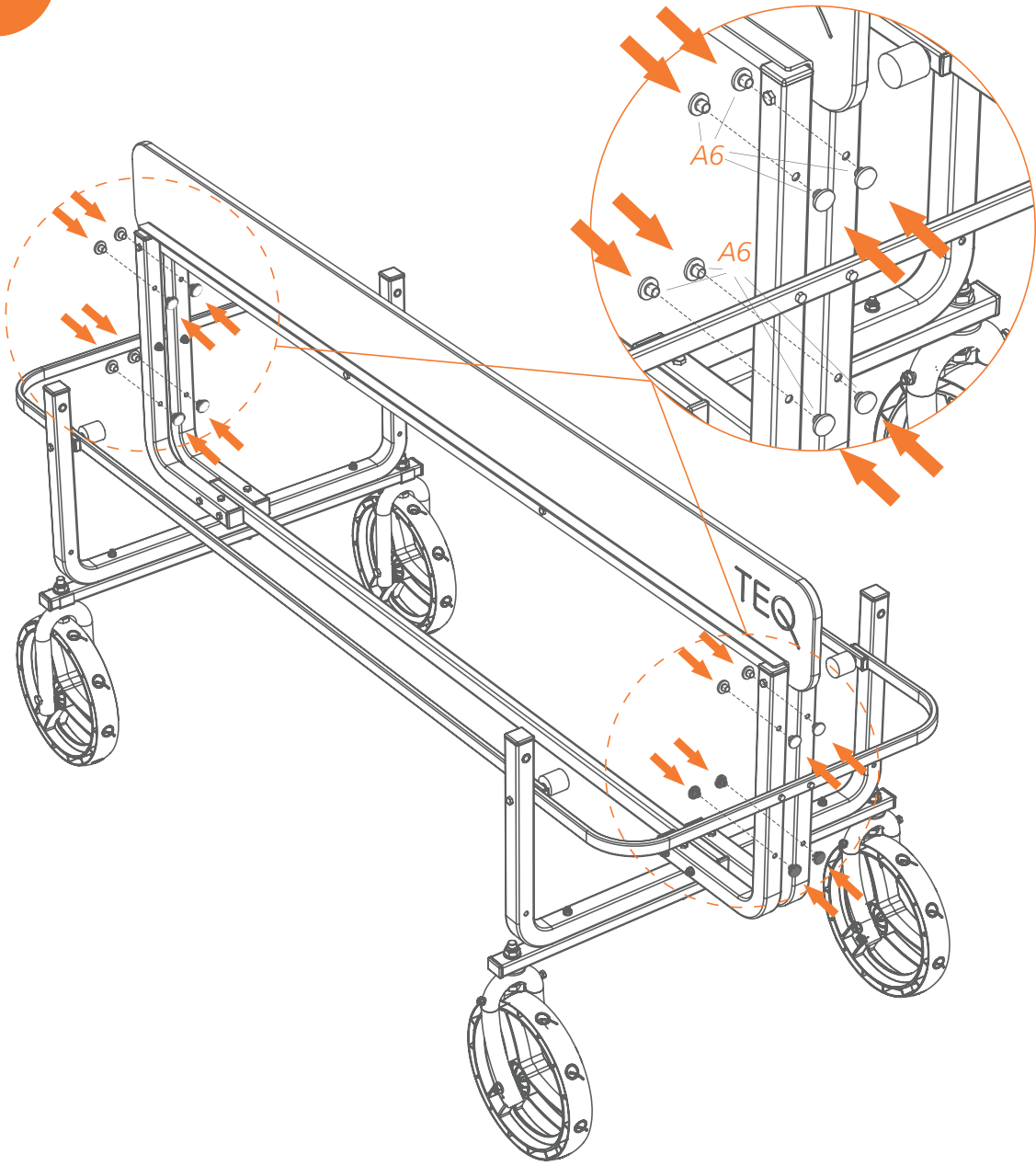


F15 x4





20. x1



$\Sigma$  A6 x16



F18 -  
F19



F17



F10 -  
F12



F16

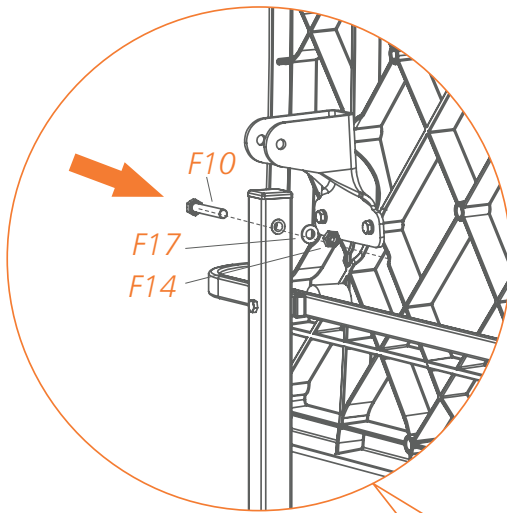


F1 -  
F9



TEQ LITE

21. x2

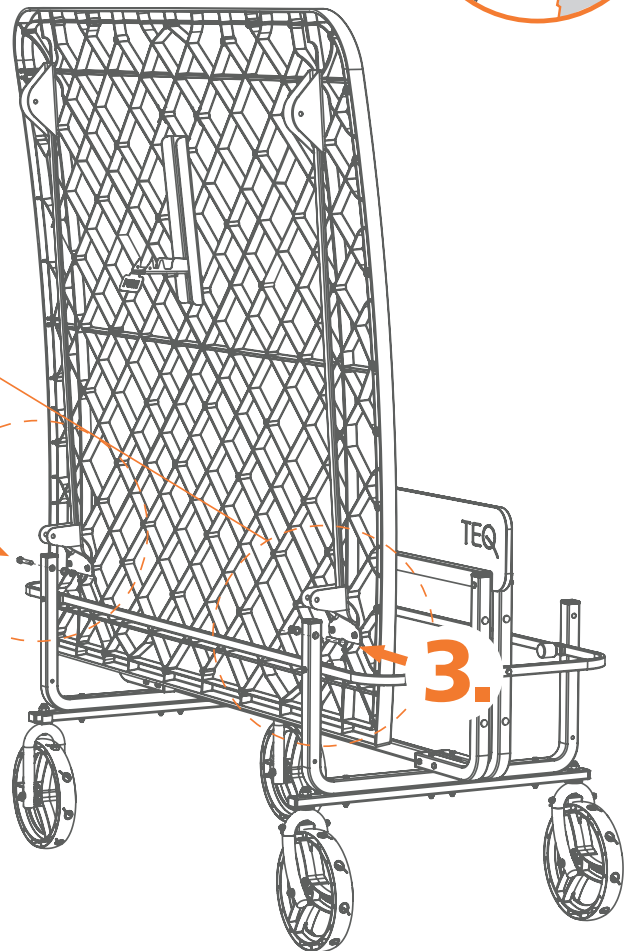
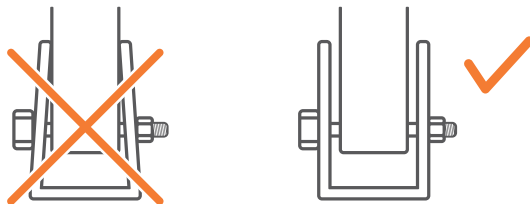


1. ↓



2. →

3.



Σ F17 x4



D16

F14 x4



M8

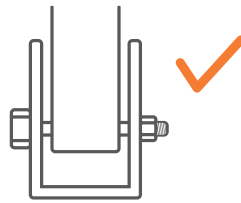
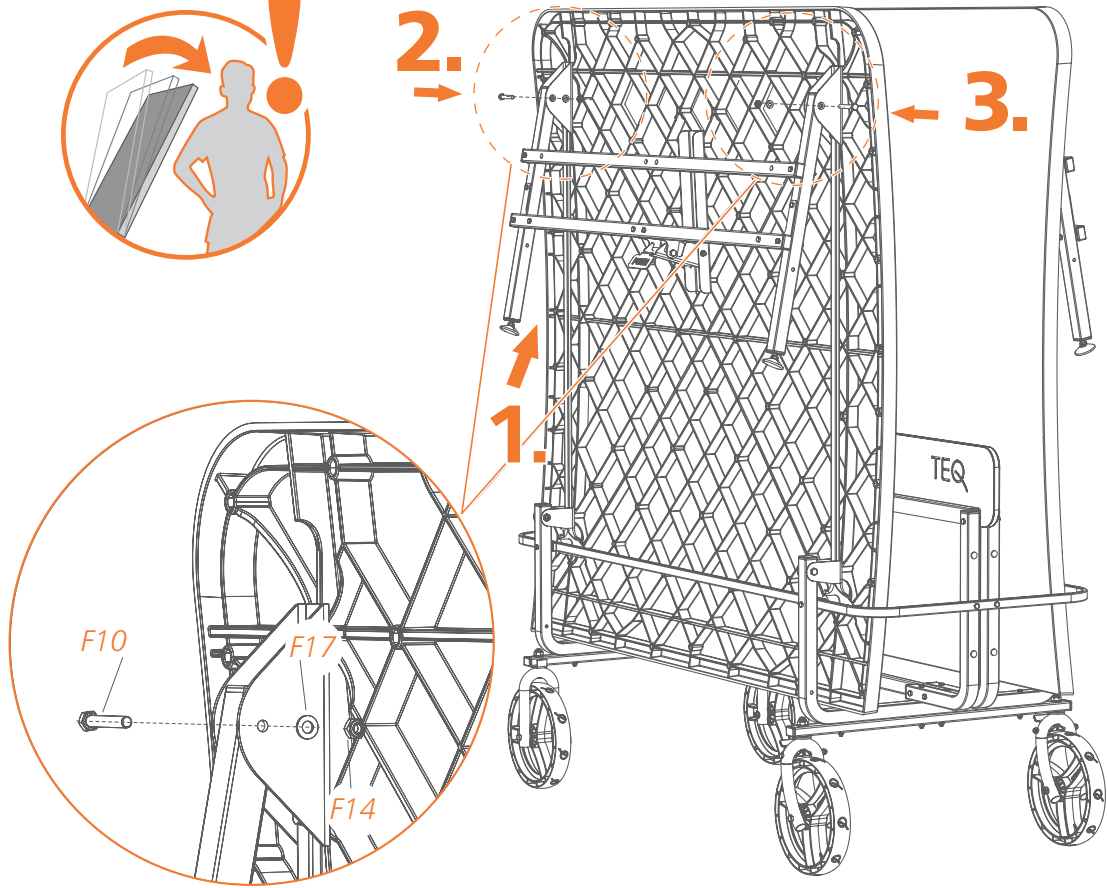
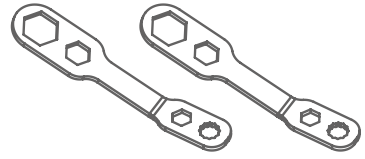
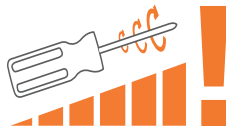
F10 x4



M8x55



22. x2



Σ F17 x4



D16

F14 x4



M8

F10 x4



M8x55

F18 -  
F19



F17



F10 -  
F12



F16

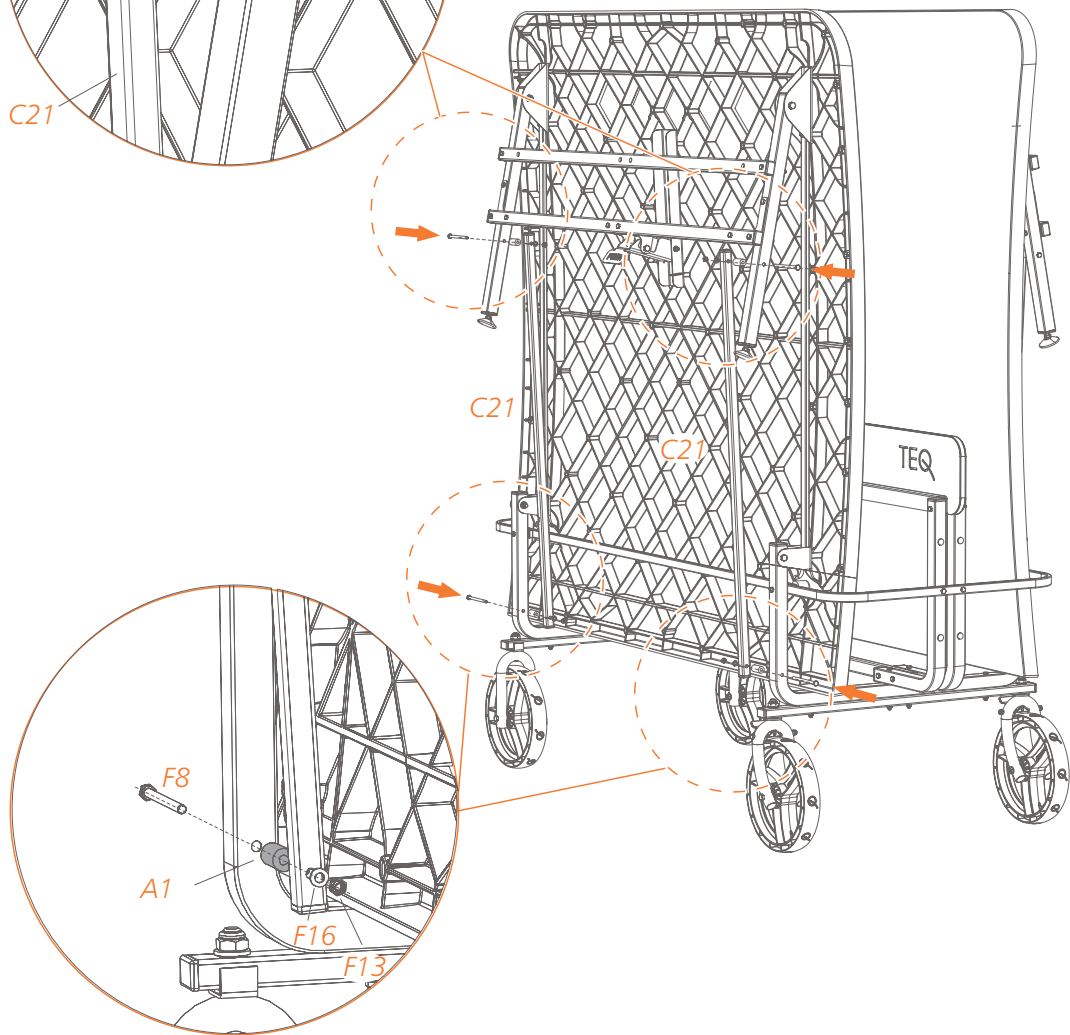
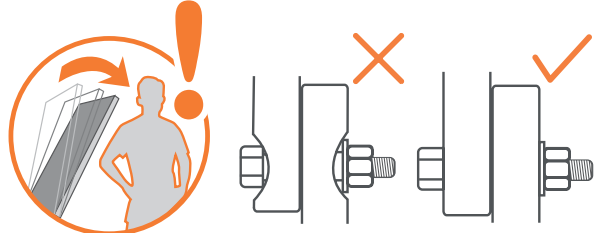
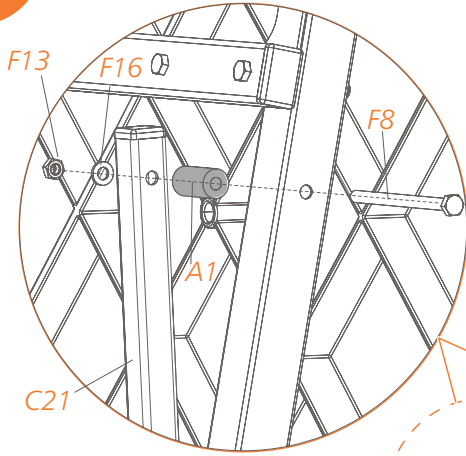


F1 -  
F9



TEQ LITE

23. x2

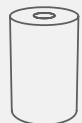


Σ C21 x4



L=947mm

A1 x8



F16 x8



D12

F13 x8

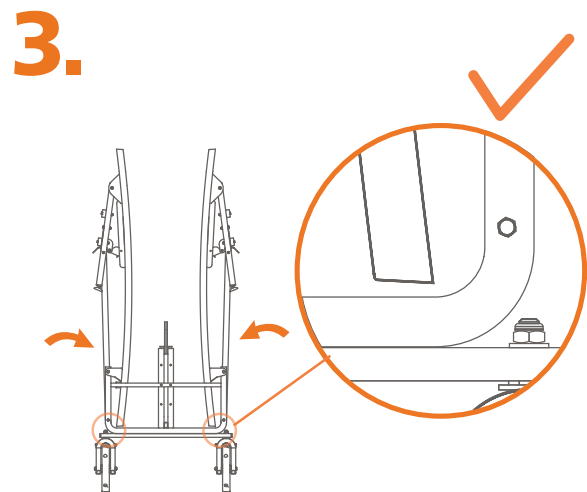
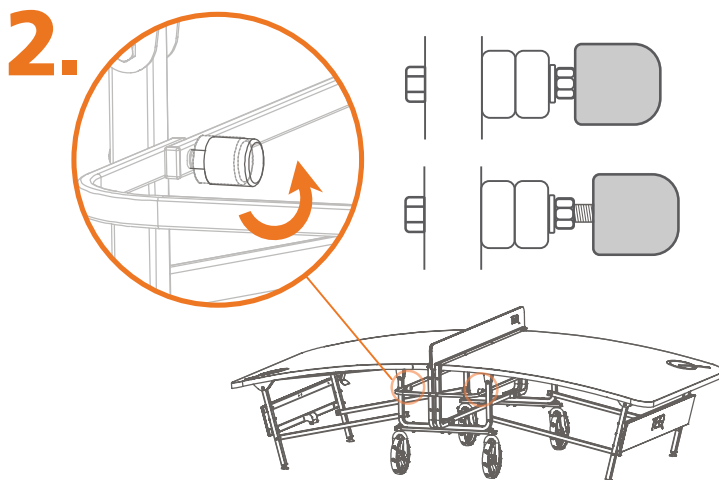
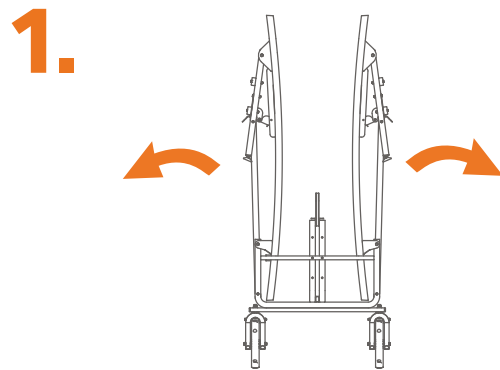
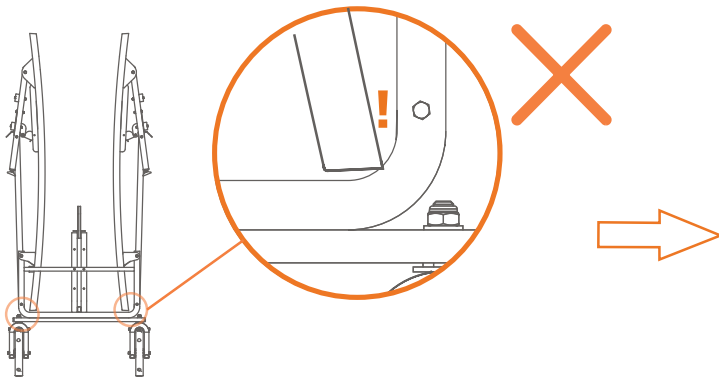
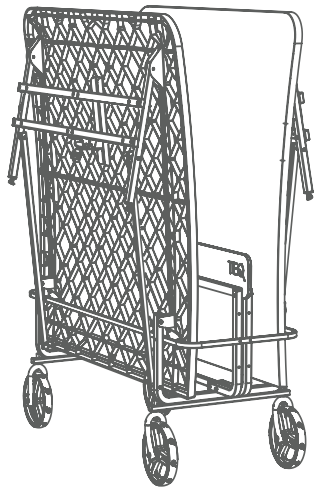


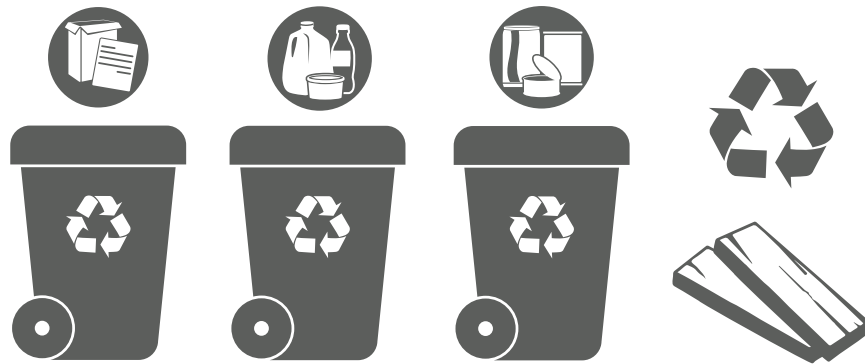
M6

F8 x8



M6x90





**WORLD IS  
CURVED**

**TEQ LITE**

**LITE  
OWNER'S  
MANUAL**