

**TEQ ONE**

INDOOR/OUTDOOR

**OWNER'S  
MANUAL**

## INFORMATION FOR USERS

English (EN)

Before using or assembling the product read the document very carefully. Please keep the manual as you may need the included information in the future. The product is under international patent, trademark and copyright protection. If you cannot find the instructions in your language please visit [www.teqball.com](http://www.teqball.com)

## SPECIFICATIONS OF THE PRODUCT

Dimensions:  
3000x1700x900 [mm]  
Total weight: max 148 kg

CONTACT: Teqball International Limited  
Street: Expo tér 5-7  
City: Budapest  
Country: Hungary  
Postal code: 1101

The product can be used by wheelchair users.



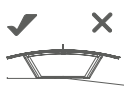
This product is certified by:

2001/95/EC. General Product Safety  
Directive EN 14468-1:2015 (where relevant)



## SAFETY AND WARNINGS

Please, follow closely these instructions when assembling the table; warranty claims are not valid if the assembly is faulty. TEQ One table is a specially designed piece of sports equipment and it is not suitable for any other purposes.



Keep horizontal.



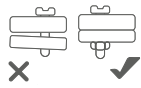
It is forbidden to use the table in extreme weather conditions (storm, lightning, under -20 and above +40 degrees Celsius).



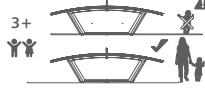
It is forbidden to jump, stand, sit, lean on or kick the table.



Do not wear jewellery or watch during the assembly or playing.



Do not use in case of missing or defective parts.



Do not leave children unsupervised around the table (including setting-up and storing periods as well). Not allowed under age of 3.



If the security label with the serial number is damaged or removed, the warranty is invalid!



Move the table carefully.

## INSTALLATION (OPTIONAL)

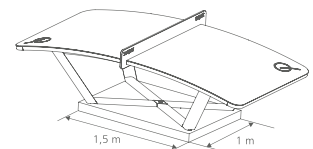
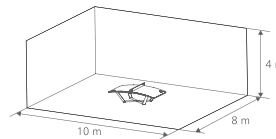
Please read and follow these instructions carefully. Before starting the installation, please make sure that all assembly instructions are completed properly and you have all the necessary screws and anchors as well as required installation tools listed.

**IMPORTANT:** Move the TEQ One table carefully. It always should be carried by at least two adult people lifting it. Never push or pull the TEQ One table on the floor as it can cause damage to its parts.

## INSTALLATION CONDITIONS

The recommended size of the Teqball court is 10 m long, 8 m wide and 4 m high. The TEQ One table is positioned symmetrically in the middle of this 10 m x 8 m rectangular area. If the TEQ One table is located outdoors, a 1,5 m x 1 m x minimum 0,1 m deep concrete or asphalt base is required.

**ATTENTION!** The thickness of the asphalt or concrete base is very important. If it does not reach the required 0,1 m do not start the installation!



## INSTALLATION TOOLS

- Q 2 pieces HILTI M12x50 galvanized hexagon screws (DIN 933; ISO 4017)
- Q 2 pieces HILTI HKD-SR M 12x50 drop-in (flush) anchors
- Q HILTI HSD-G M12x50 or HSD-M 12x50 setting tool
- Q Rotary hammer
- Q Impact wrench

## POWER REQUIREMENTS OF INSTALLATION TOOLS

## Rotary hammer



- Q Voltage: 220 V
- Q Chuck: 1/2" square drive
- Q Maximum torque: 45 Nm



## Impact wrench

- Q Voltage: 220 V
- Q Single impact energy: 2 Joule
- Q Full hammering frequency: 5200 impacts/min

For installation steps go to page 38.

## HANDLING &amp; MAINTENANCE

The TEQ One table must be set up properly. This is not only for better gameplay experience but also for your safety. Please follow these instructions:

Clean the surface with warm water and use a mop (DO NOT use any abrasive sponges). Regular maintenance is essential to keep the TEQ One table safe and reliable. Before each use, visually inspect the TEQ One table to ensure that the product is usable (all part are intact, free from deformation, cracks and fractures). At least twice a month check all screws, nuts to ensure that they function properly (it is recommended to check the bolts more frequently in regular use). The fasteners are coated with adhesive which acts during the first assembly. The adhesive can prevent the self-loosening of the fasteners, in case of disassembly the adhesive loses its functionality. Please do not remove the adhesive from the fasteners. During the periods when your TEQ One is out of use, it is recommended to cover the product and store it. This way you will have a better chance to avoid weather-caused damages such as fading of the tabletop or corrosion of the steel structure. Replacing any component with an improper part makes the table unsafe. Always use original TEQ One components for replacements! In case of any question please contact us on [support@teqball.com](mailto:support@teqball.com)

## TEQBALL PRODUCT WARRANTY (EU,US)

Teqball is proud to provide the following warranty (the "Warranty") on its high quality products to its consumer Customers, beyond any other legal remedies or warranties that they may have under applicable law. Risks/costs covered by the Warranty: latent product defects relating to materials and/or workmanship; shipping, packaging, handling and customs fees relating to product repair or replacement; repair costs; Risks/costs excluded from the Warranty: product surface damage (except paint damage or rust caused by manufacturing defects, which are covered); damage caused by misuse, neglect, accident; damage caused by not following any instruction in the Owner's Manual; normal wear and tear; damage suffered in transport; damage suffered during or after a repair or installation by unlicensed third parties; potential, indirect, incidental, special, punitive or consequential damage, even if informed of the possibility of such beforehand;

**Warranty period:** 2 (two) calendar years from date of delivery to the Customer; **Warranty claim window:** unless otherwise specified in applicable law, 10 (ten) calendar days from the date damage was noticed or should have been noticed; **Proof of claimed damage or costs:** photo or video of damage accompanied by photo of serial number; costs substantiated by written documentation; **Format of warranty claim:** email to [support@teqball.com](mailto:support@teqball.com) or fax to +353 (85) 748 5613, including (a) proof of claimed damage or costs, (b) proof of purchase including date of purchase, and (c) proof of resale if resold to another consumer;

**Remedy of warranty claim:** within 20 business days of receipt of a valid warranty claim, Teqball shall provide, at the Customer's option and at Teqball's expense, either (1) a full refund of the purchase price to Customer's bank account located in the country of purchase, (2) replacement with a table in the same range shipped to Customer's address located in the country of purchase or (3) repair or replacement of a damaged part (at Teqball's discretion). In each case, Teqball may reclaim the damaged table or part.

**Claims after warranty period:** beyond the warranty period, Teqball provides quality repair services through its network of certified professionals, at the Customer's cost.

No distributor or agent may vary the terms of this Warranty. If the terms of this Warranty contradict the terms of a sales contract entered into by Teqball, the conditions specified in such contract shall prevail.

## PRODUCT LIABILITY

The Teqball product you have purchased (the "Product") is manufactured to the highest industry and safety standards (including EN 14468-1:2015; UL 962) and Teqball constantly performs quality and safety testing to ensure that these standards are maintained or exceeded. Nevertheless, no product, especially one with heavy or moving parts, is completely risk free.

**SEVERE INJURY OR DEATH MAY RESULT FROM NOT FOLLOWING THE INSTRUCTIONS IN THE OWNER'S MANUAL. IN WHICH CASE TEQBALL AND ITS ASSOCIATED ENTITIES AND PERSONNEL DECLINE ALL LIABILITY IN ALL CIRCUMSTANCES, AND TO THE FULLEST EXTENT ALLOWED BY APPLICABLE LAW, TEQBALL'S LIABILITY RELATING TO DIRECT DAMAGE SUFFERED IN RELATION TO THE PRODUCT SHALL BE LIMITED TO (1) \$100,000 (ONE HUNDRED THOUSAND USD) OR (2) ACTUAL SUBSTANTIATED DAMAGES, WHICHEVER IS LOWER.**

**NO LIMITATION OF LIABILITY SHALL APPLY TO INJURY OR DEATH CAUSED BY TEQBALL'S GROSS NEGLIGENCE OR TO ANY OTHER DAMAGE THAT MAY NOT BE LIMITED BY APPLICABLE LAW.**

**IN ALL CIRCUMSTANCES, AND TO THE GREATEST EXTENT ALLOWED BY APPLICABLE LAW, TEQBALL DECLINES ALL POTENTIAL, INDIRECT, SPECIAL, INCIDENTAL, PUNITIVE OR CONSEQUENTIAL DAMAGE SUFFERED IN RELATION TO THE PRODUCT, EVEN IF INFORMED OF THE POSSIBILITY OF SUCH BEFOREHAND.**

Any liability claim must be substantiated by documentary evidence recorded within 5 calendar days of sustaining the damage and submitted to [legal@teqball.com](mailto:legal@teqball.com) (or by fax to +353 (85) 748 5613) within 10 business days of the same date, unless longer claim windows are provided by applicable law.

## PICTOGRAM DESCRIPTION



Keep horizontal



Tighten completely (7 Nm)



Stop halfway (2 Nm)

x2

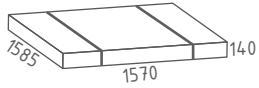
Repeat on both sides

## ENVIRONMENT

The packaging is made entirely of recyclable materials, which you may dispose of at local recycling facilities. Contact your local refuse disposal authority for more details of how to dispose of your worn-out product. To help protect the environment, please dispose of the product properly when it has reached the end of its useful life and not in the household waste. Information on collection points and their opening hours can be obtained from your local authority.



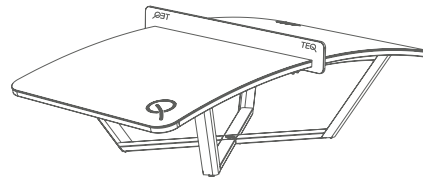
2x 52 kg  
(BOX 3/4 & 4/4)



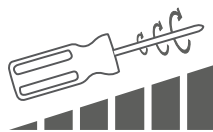
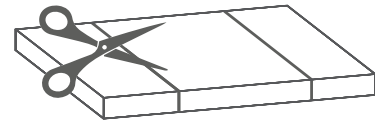
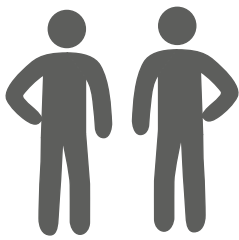
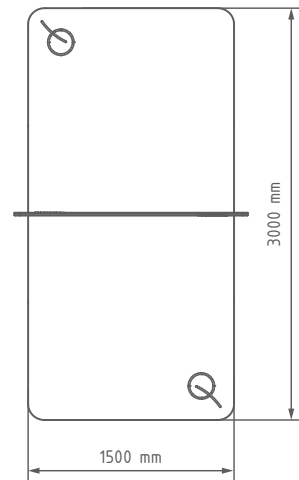
1x 34 kg  
(BOX 2/4)



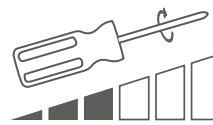
1x 46 kg  
(BOX 1/4)



148 kg

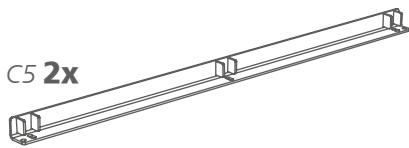
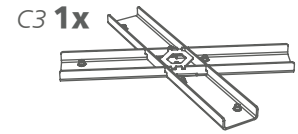
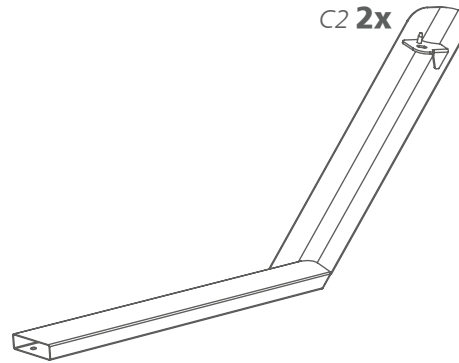
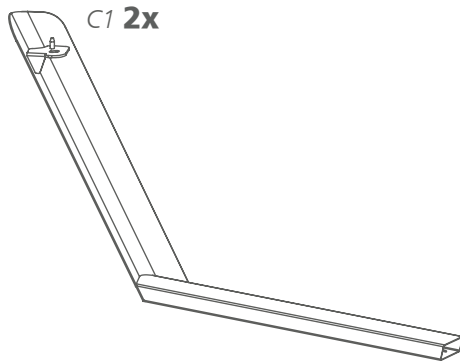
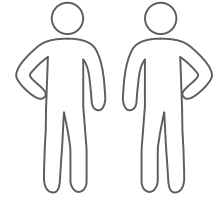
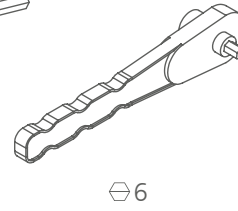
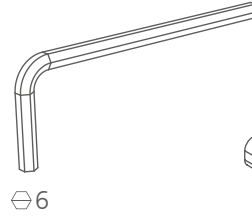
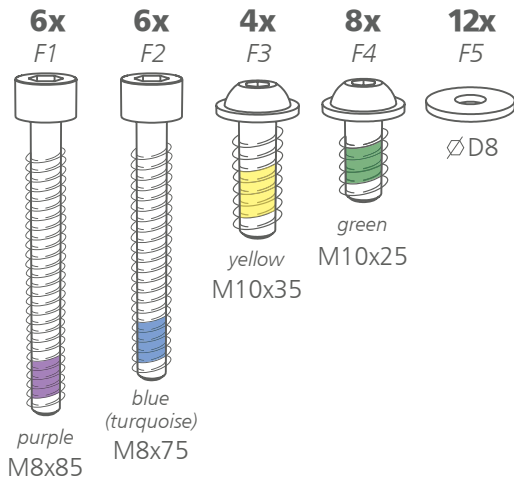


7 Nm



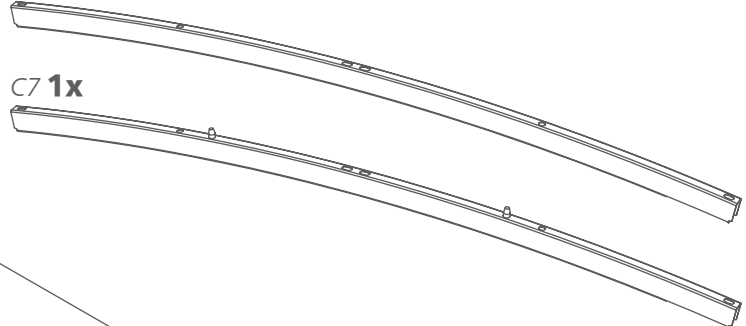
2 Nm



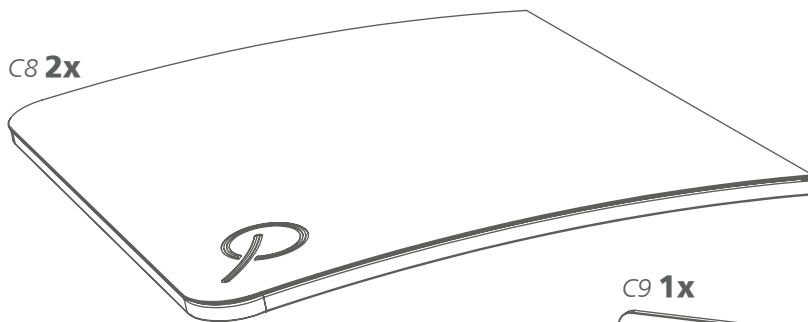


**C6 2x**

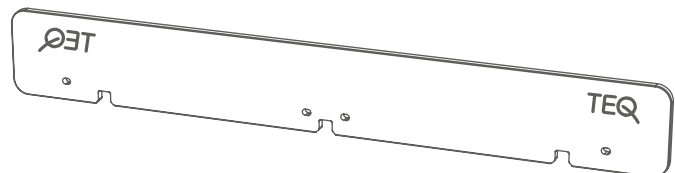
**C7 1x**



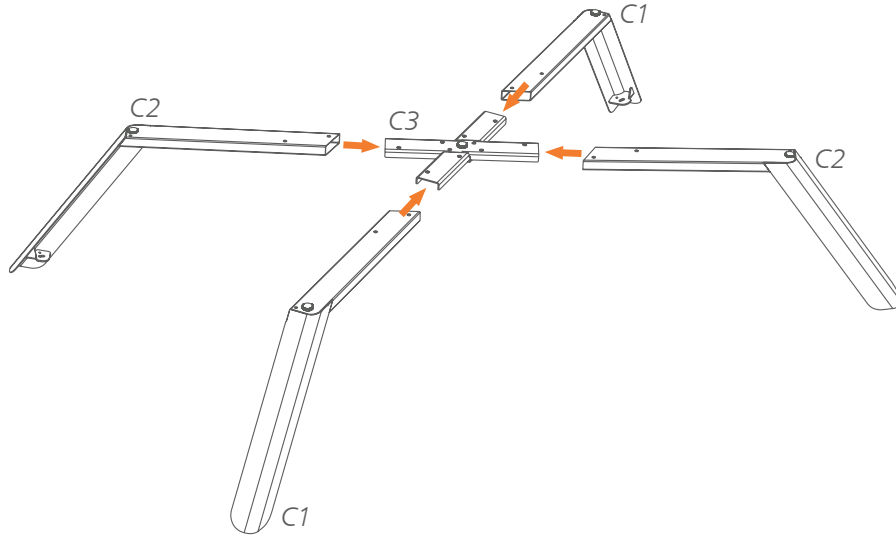
**C8 2x**



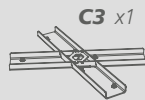
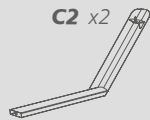
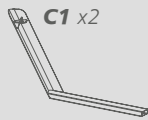
**C9 1x**



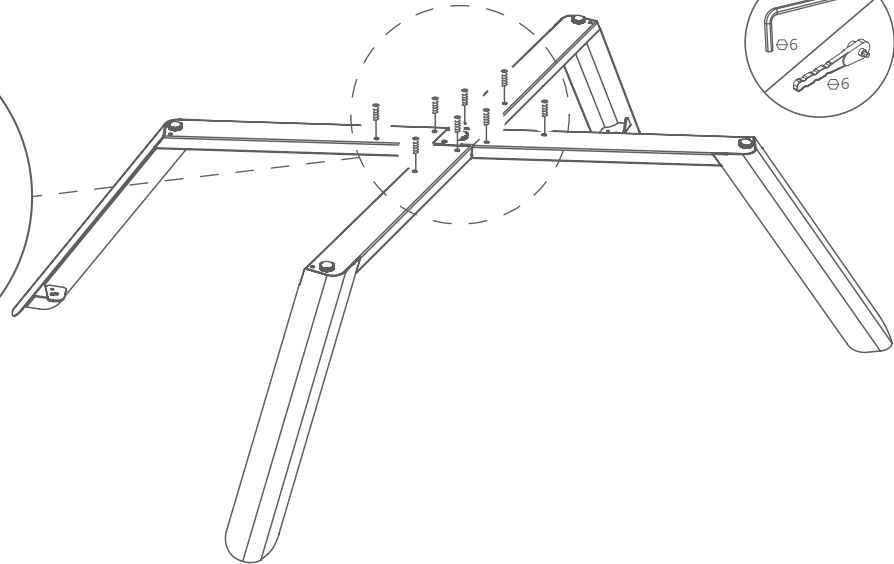
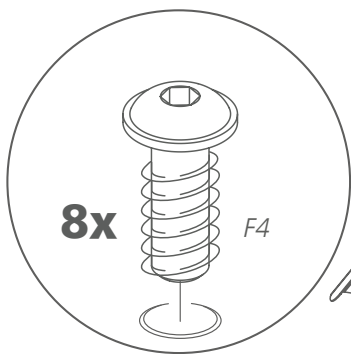
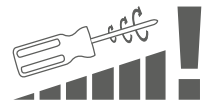
1.



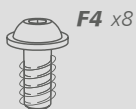
$\Sigma$



2.

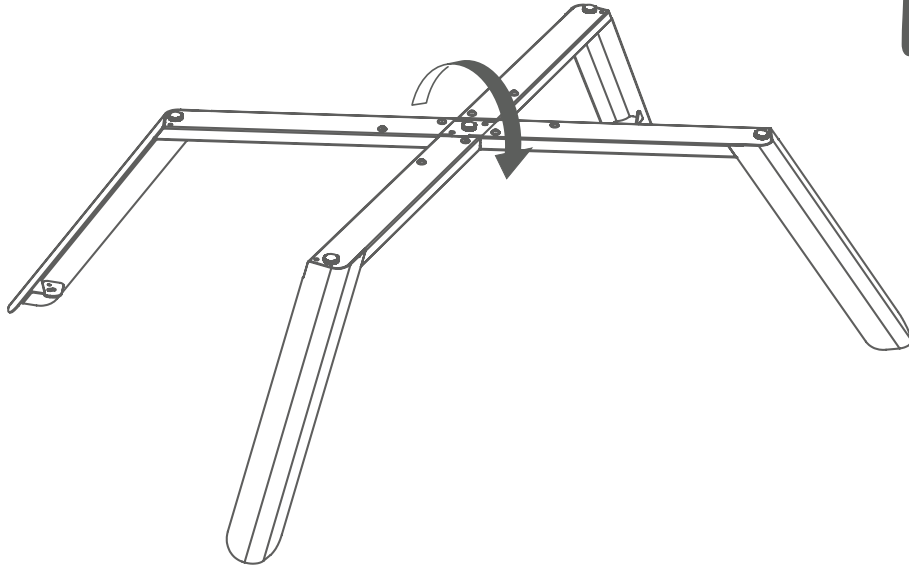
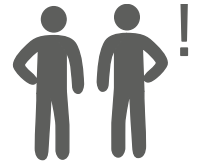


$\Sigma$

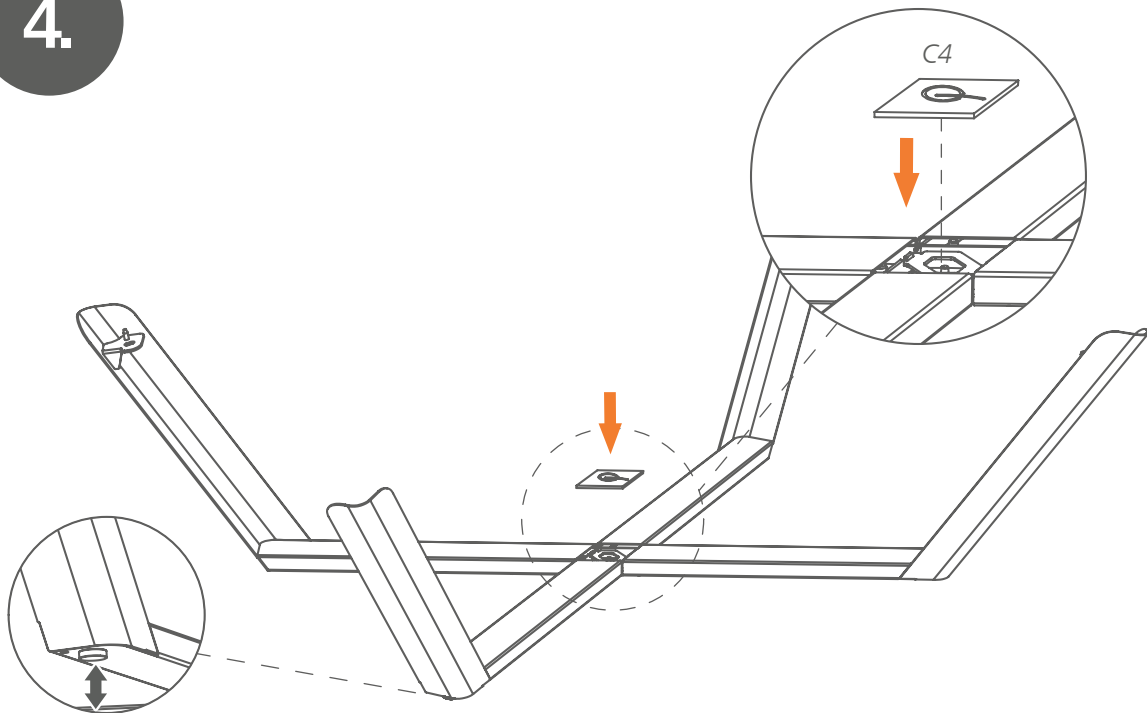




3.

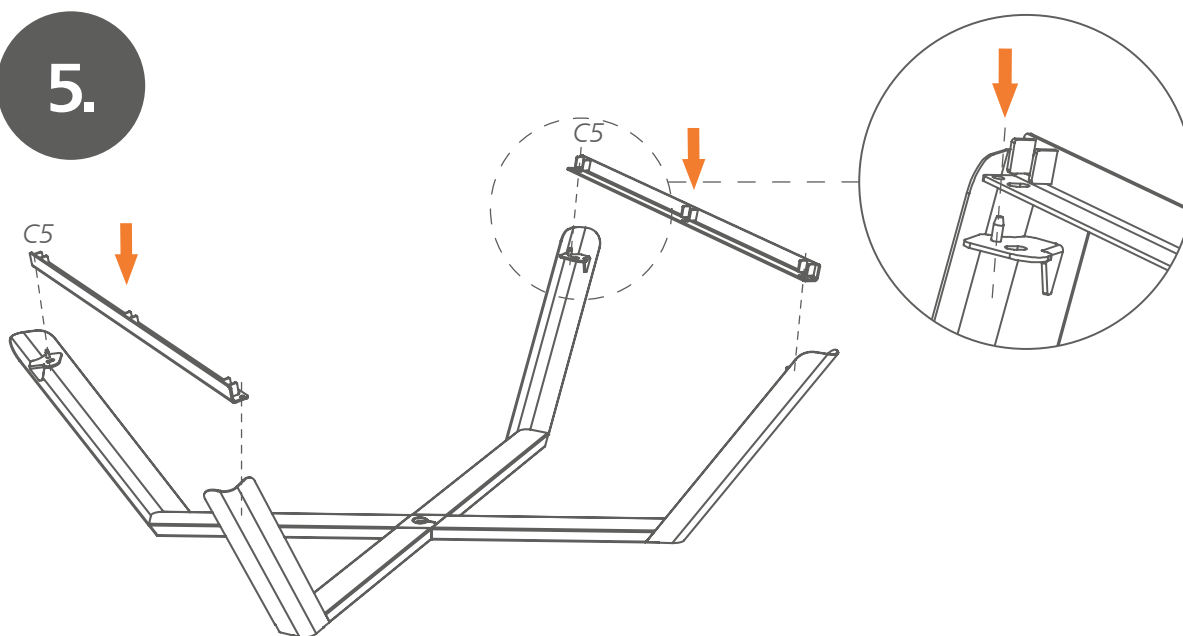


4.

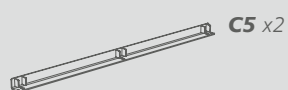


$\Sigma$   C4 x1

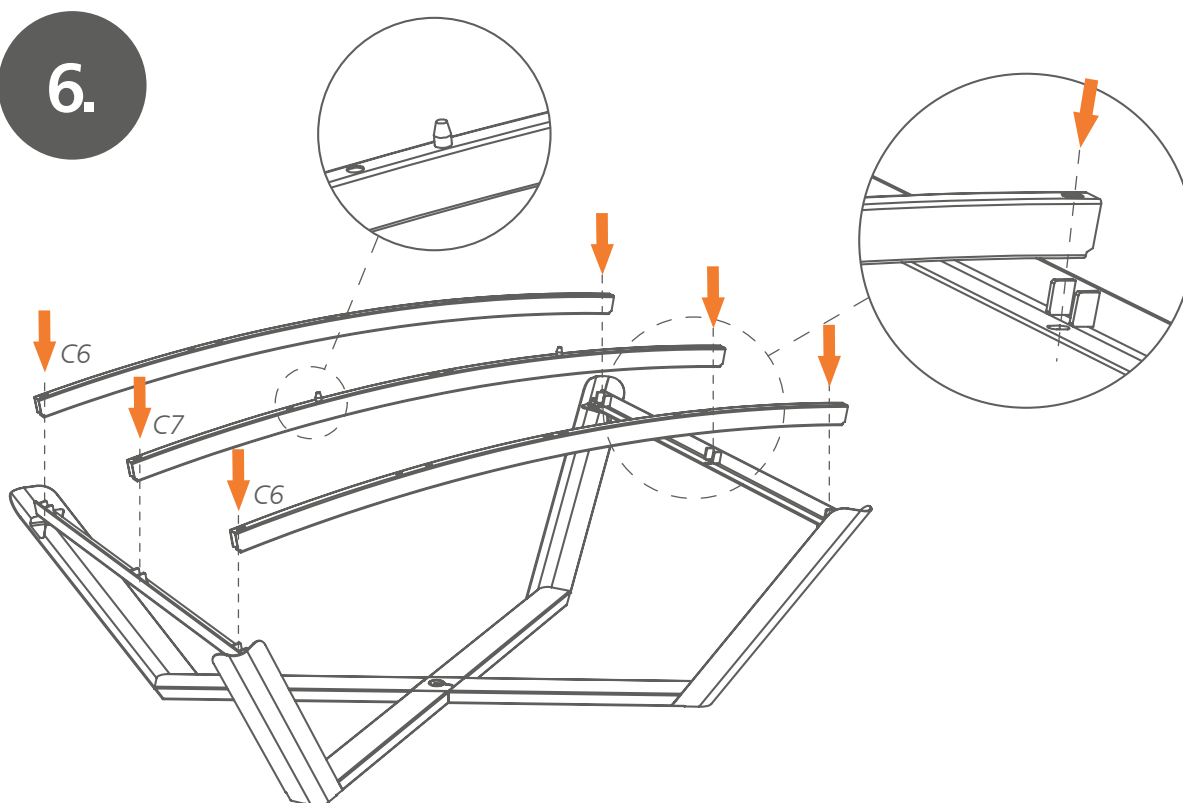
5.



Σ



6.

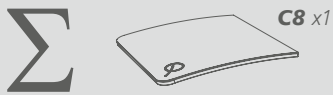
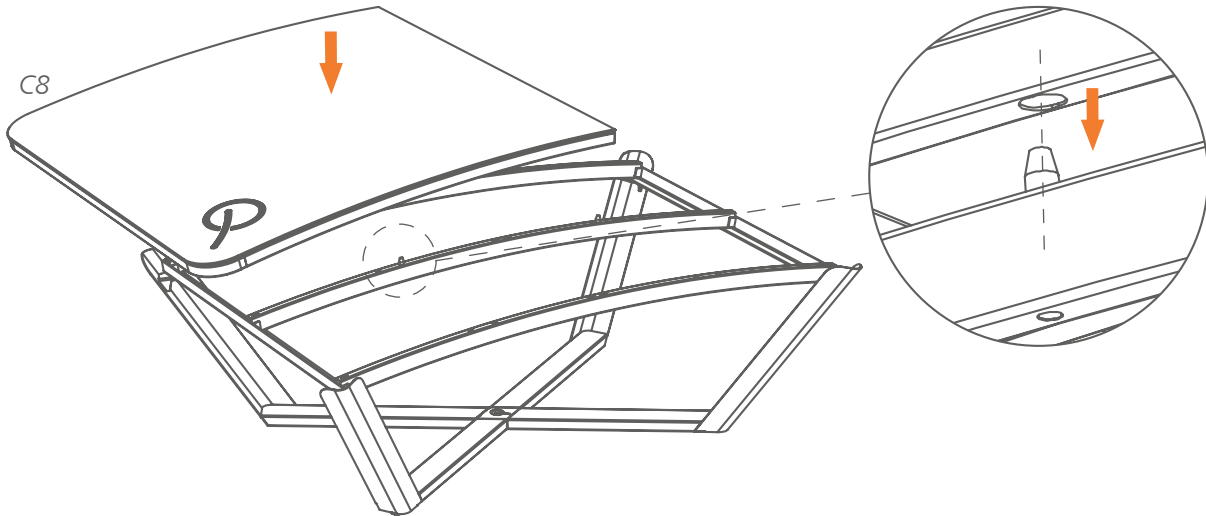
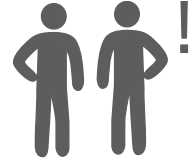


Σ

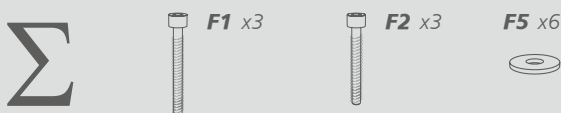
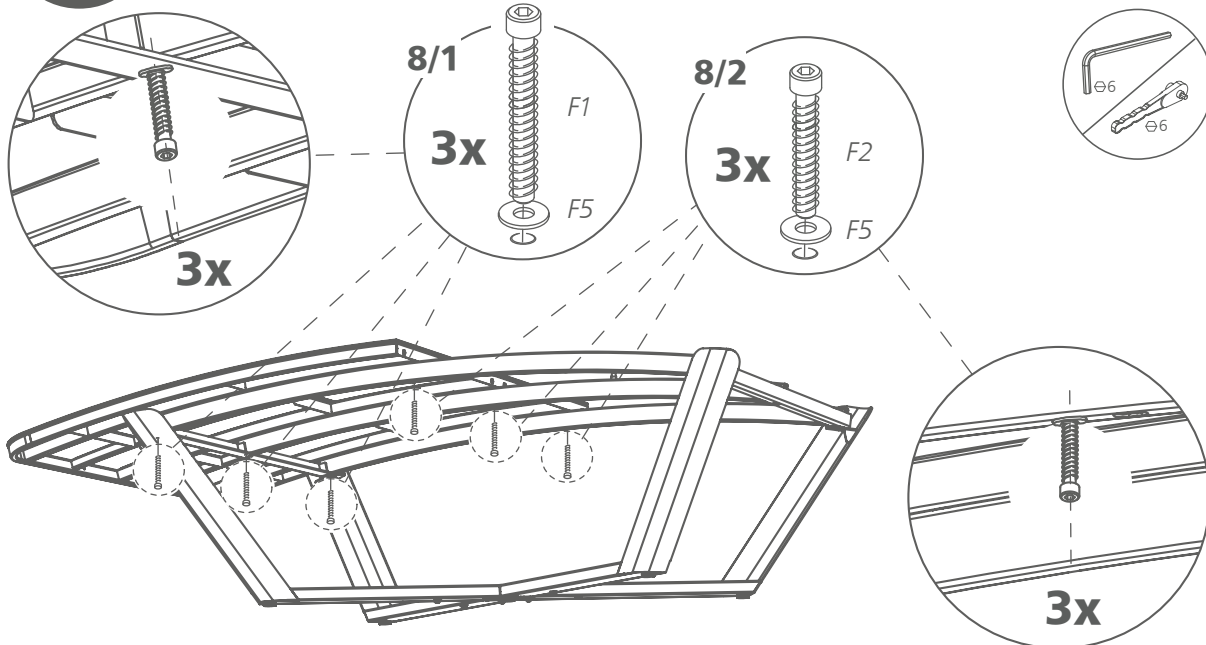
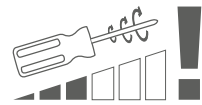




7.

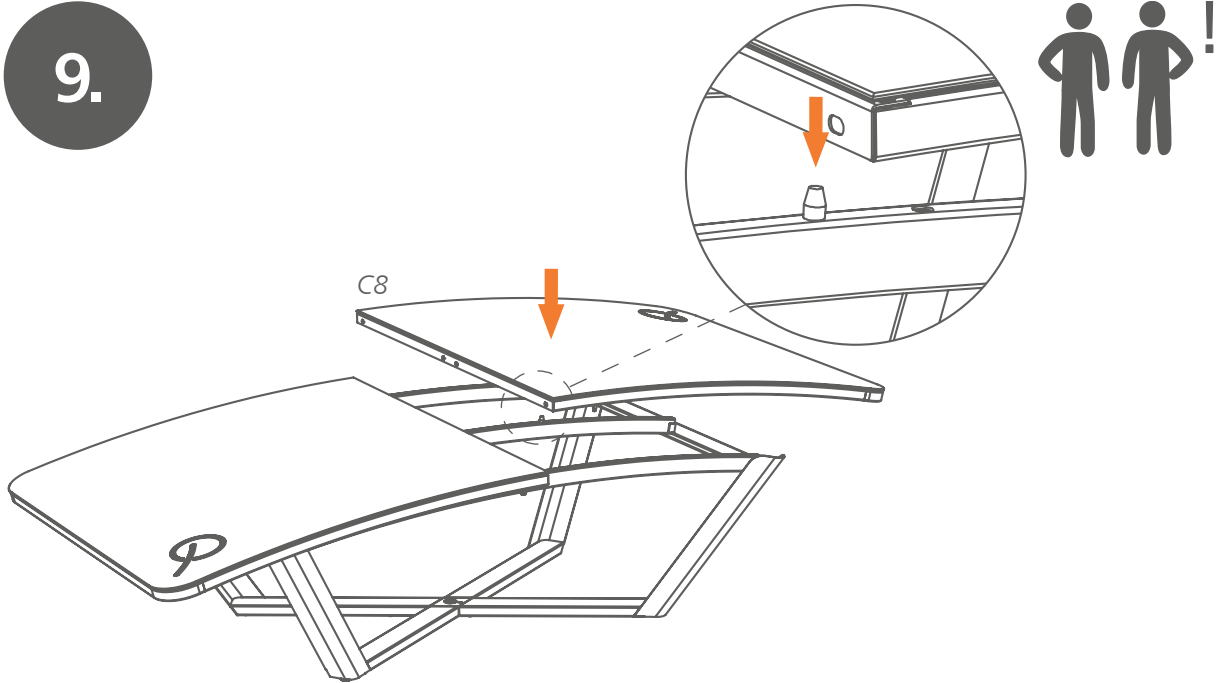



8.



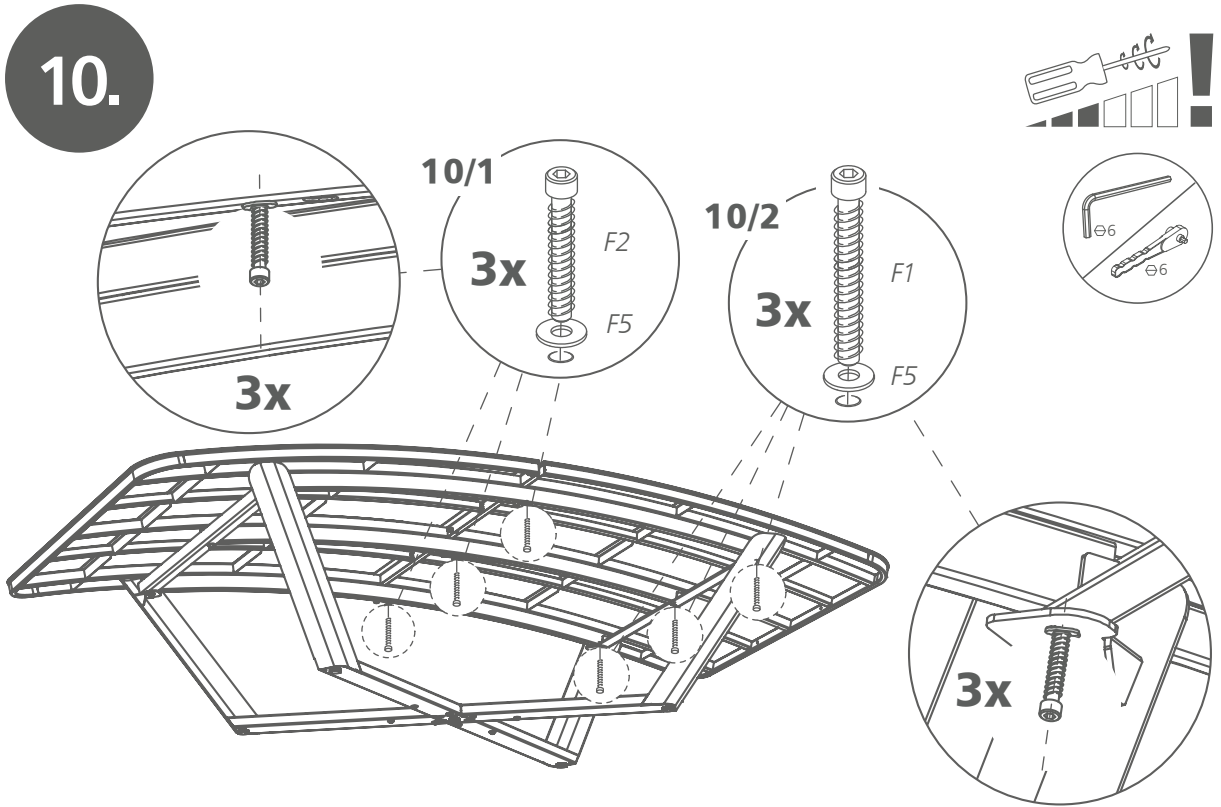





9.



Σ  C8 x1

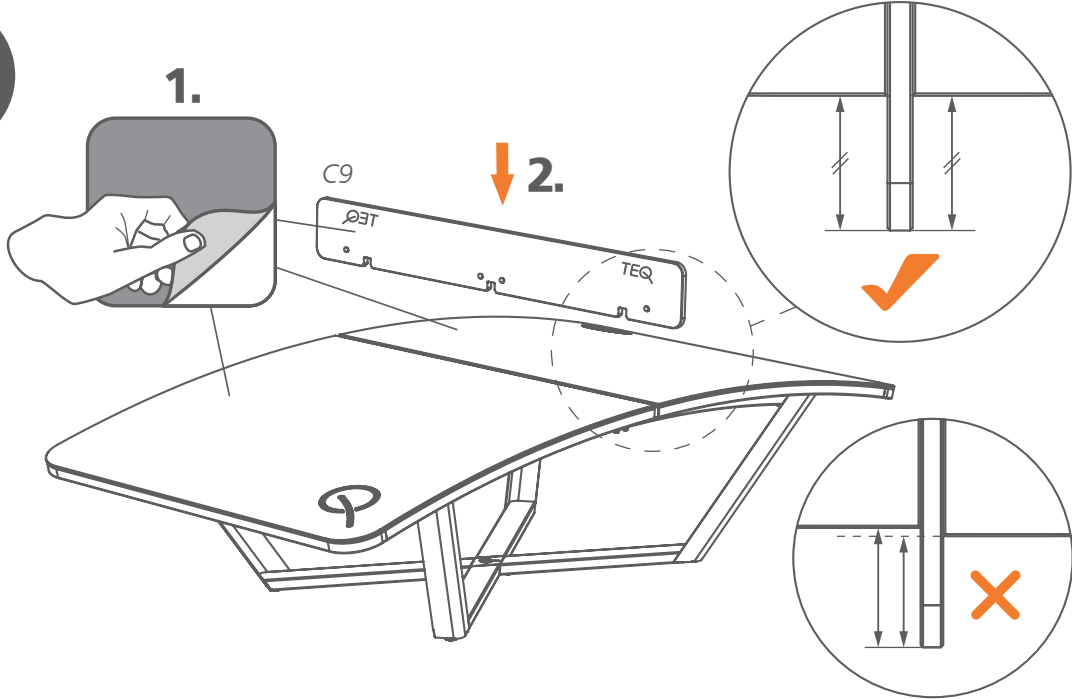
10.



Σ  F1 x3  F2 x3  F5 x6

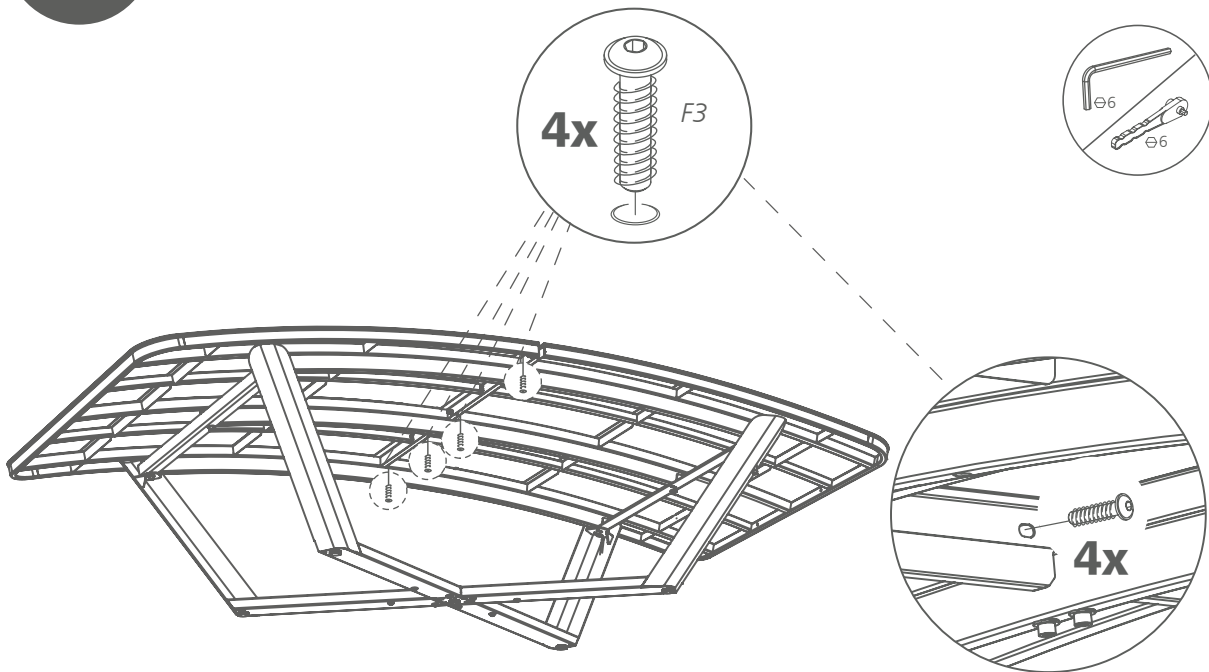


11.



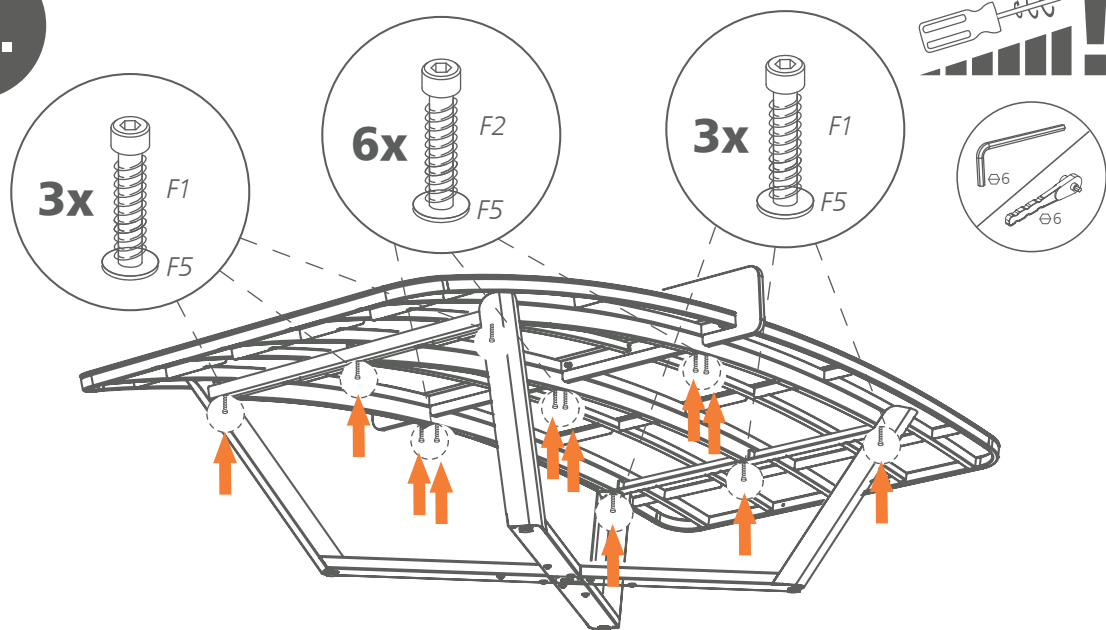
$\Sigma$  C9 x1

12.

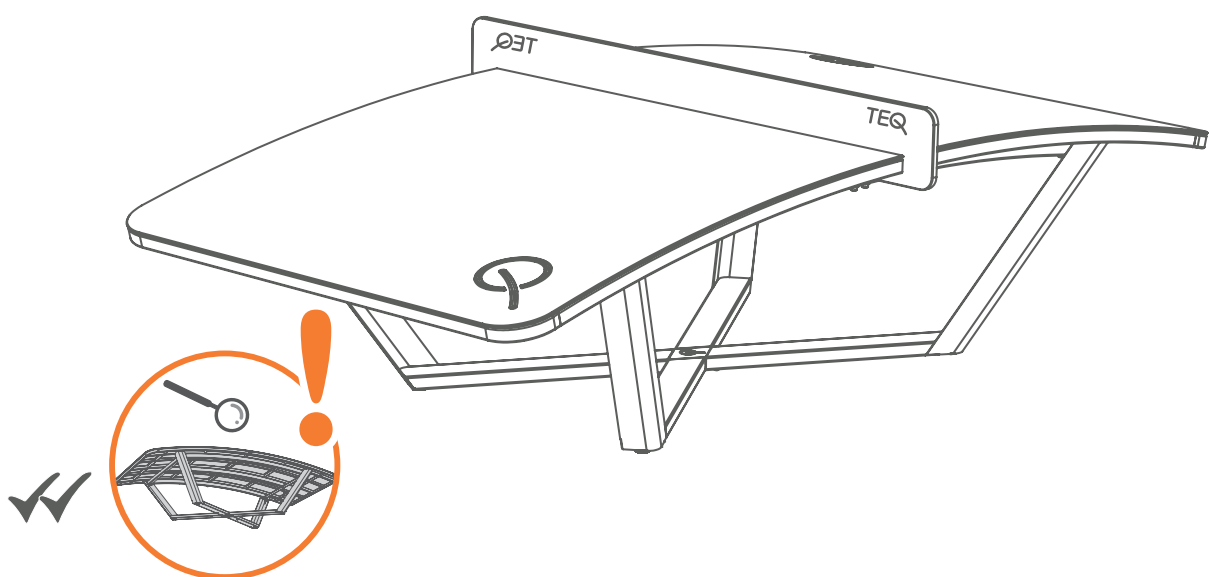


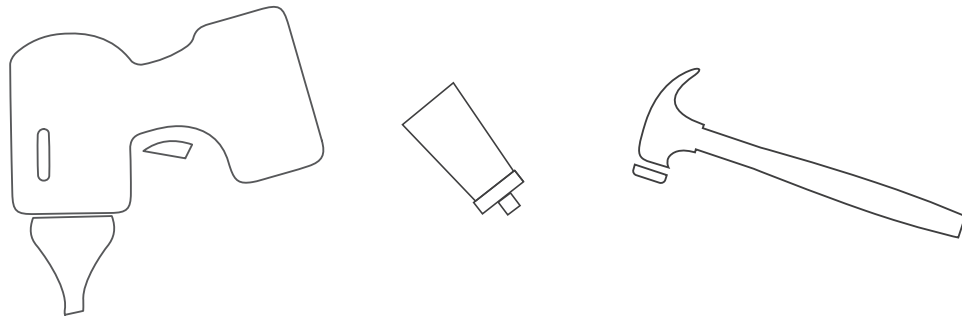
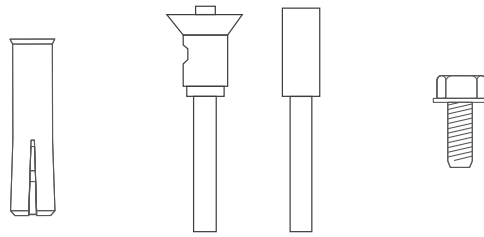
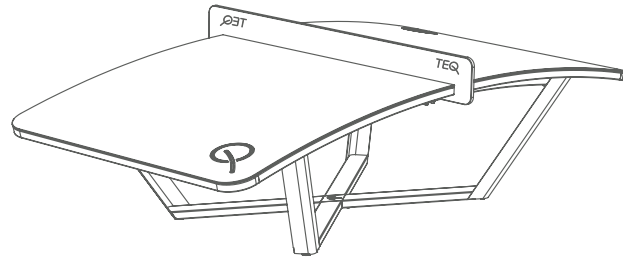
$\Sigma$  F3 x4

13.



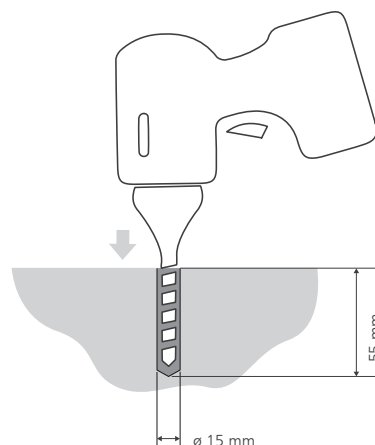
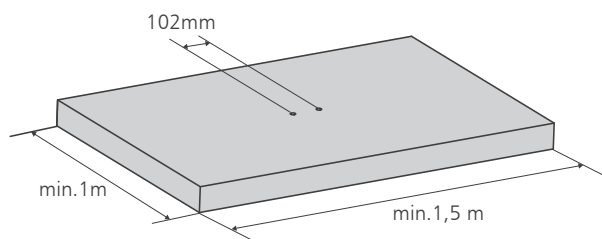
14.





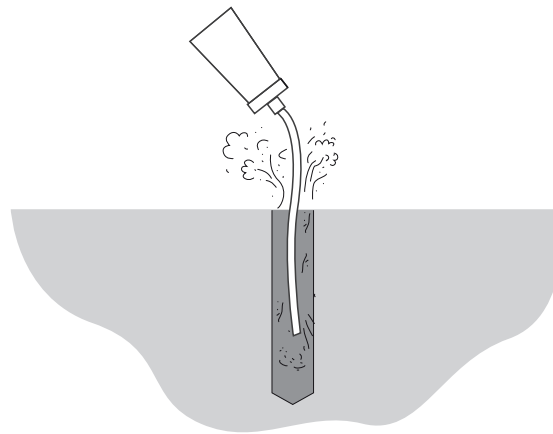
EN	INSTALLATION (OPTIONAL)
AR	التركيب (اختياري)
BG	БЕЗОПАСНОСТ И ПРЕДУПРЕЖДЕНИЯ
CN	安装 (可选)
CZ	INSTALACE (VOLITELNÉ)
DE	INSTALLATION (OPTIONAL)
DK	MONTERING (VALGFRI)
EE	PAIGALDAMINE (VALIKULINE)
ES	INSTALACIÓN (OPCIONAL)
FI	ASENNUS (VALINNAINEN)
FR	INSTALLATION (OPTIONELLE)
GR	ΕΓΚΑΤΑΣΤΑΣΗ (ΠΡΟΑΙΡΕΤΙΚΑ)
HR	INSTALACIJA (OPCIONALNO)
HU	AZ ASZTAL TELEPÍTÉSE (OPCIONÁLIS)
IT	INSTALLAZIONE (OPZIONALE)
JA	設置 (オプション)
LT	MONTAVIMO INSTRUKCIJA (PARINKTIS)
LV	UZSTĀDĪŠANA (PĒC IZVĒLES)
MT	INSTALLAZZJONI (FAKULTATTIVA)
NL	INSTALLATIE (OPTIONEEL)
PL	INSTALACJA (OPCJONALNIE)
PT	INSTALAÇÃO (OPCIONAL)
RO	INSTALARE (OPȚIONAL)
RU	УСТАНОВКА (ОПЦИОНАЛЬНО)
SI	NAMESTITEV (KOT MOŽNOST)
SV	INSTALLATION (TILLVAL)
SK	INŠTALÁCIA (VOLITELNÉ)

1.



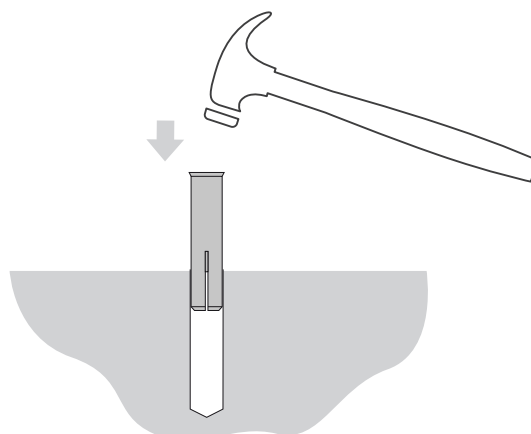
EN	Drill 2 pcs of 15 mm diameter deep hole with the rotary hammer 102 mm far from each other in the middle of the designated area.
AR	احفر ثقبتين عميقين قطرهما 15 مم بواسطة مطرقة دوارة وتكون المسافة بينهما 102 مم في منتصف المنطقة المحددة.
BG	Пробийте две дълбоки дупки с диаметър 15 mm с перфоратор, на 102 mm разстояние една от друга, в средата на посочената зона.
CN	使用氣動扳手在距離指定位置中間兩側 102mm 處鑽 2 個直徑為 15 mm 的孔。
CZ	Vyvrtejte dva otvory o průměru 15 mm pomocí rotačního kladiva, vzdálené od sebe 102 mm, ve středu určené oblasti.
DE	Bohren Sie mit dem Bohrhämmer im Abstand von 102 mm in der Mitte des vorgesehenen Bereichs 2 tiefe Löcher mit einem Durchmesser von 15 mm.
DK	Bor 2 stk af 15 mm diameter dyb hule med den roterende hammer, 102 mm væk fra hinanden i midten af det viste område.
EE	Puurige märgitud ala keskele põõrdhaamriga 2kaks sügavat auku läbimõõduga 15 mm, teineteisest vahekaugusega 102 mm.
ES	Perfore 2 orificios profundos de 15mm de diámetro con el martillo perforador a 102 mm entre sí en el medio del área designada.
FI	Poraa poravasaralla kaksi, halkaisijaltaan 15 mm:n reikää osoitetun alueen keskelle 102 mm:n päähän toisistaan.
FR	Au centre de la zone indiquée, à l'aide du marteau rotatif, percer 2 trous de 15 mm de diamètre, espacés de 102 mm.
GR	Τρυπήστε 2 τεμάχια βαθιάς οπής διαμέτρου 15 mm με την περιστροφική σφύρα 102 mm μεταξύ τους στο κέντρο της καθορισμένης περιοχής.
HR	Izbušite dvije duboke rupe promjera 15 mm rotacijskim čekićem na razdaljini od 102 mm u sredini određenog područja.
HU	Fúrjon 2 db 15 mm mély furatot a fúrókalapáccsal egymástól 102 mm-re a kijelölt terület közepére.
IT	Praticare 2 fori di 15 mm di diametro con il martello perforatore a 102 mm di distanza l'uno dall'altro al centro dell'area designata.
JA	ロータリーハンマーを使用して、専用の領域の中央に 102 mm の間隔で直径15 mmの深穴を2箇所開けます。
LT	Rotaciniu plaktuku išgręžkite 102 mm atstumu vieną nuo kitos dvi 15 mm gylio skylės nustatyto ploto viduryje.
LV	Ar rotējošo āmuru izurbiet 2 gabalus ar 15 mm diametra dziļu caurumu, lai tie ir 102 mm viens no otra, norādītā laukumā vidū.
MT	Haffer 2 hofor fondi ta' 15 mm dijamentru 102 mm 'il bogħod minn xulxin bil-martellatura ċirkolanti fin-nofs taż-żona assenjata.
NL	Boor 2 gaten van diam. 15mm met de 102mm boorhamer ver van elkaar in het midden van het aangegeven gebied.
PL	Na środku wyznaczonego obszaru za pomocą młotowiertarki nawiercić dwa głębokie otwory o średnicy 15 mm, rozmieszczone w odległości 102 mm od siebie.
PT	Faça dois orifícios de 15 mm de diâmetro com o martelo rotativo, a uma distância de 102 mm um do outro no meio da área designada.
RO	Executați 2 găuri adânci cu diametrul de 15 mm cu ciocanul rotativ la o distanță de 102 mm una de cealaltă în mijlocul zonei desemnate.
RU	С помощью перфоратора просверлите два глубоких отверстия диаметром 15 мм на расстоянии 102 мм друг от друга в центре обозначенной зоны.
SI	Izvrtajte dve globoki luknji premera 15 mm z vrtiljivim kladivom 102 mm drug od drugega na sredini določenega območja.
SV	Borra 2 st 15 mm djupa hål med borrhammaren. De ska vara 102 mm från varandra i mitten på det avsedda området.
SK	Pomocou rotačného kladiva vyvrtajte v strede určenej oblasti 2 hlboké otvory s priemerom 15 mm, ktoré budú od seba vzdialené 102 mm.

2.



EN	Blow out the generated dust from the holes.
AR	انفخ للخارج الغبار المتولد عن هذين الثقيبين.
BG	Издухайте получения при пробиването на дупките прах.
CN	吹出孔中產生的灰塵。
CZ	Vzniklý prach z otvorů vyfoukněte.
DE	Blasen Sie den entstandenen Staub aus den Löchern.
DK	Blæs ud det genererede støv fra hulene.
EE	Puhuge puurimistolm aukudest välja.
ES	Sople el polvo generado de los orificios.
FI	Puhalla pois porauksesta syntynyt pöly.
FR	Souffler les poussières hors des trous.
GR	Φυσήξτε την παραγόμενη σκόνη από τις οπές.
HR	Ispuhnite nastalu prašinu iz rupa.
HU	Fújja ki a keletkezett port a furatokból.
IT	Rimuovere la polvere generata dai fori.
JA	発生した粉塵を穴から除去します。
LT	Išpūskite susidariusias dulkes iš skylių.
LV	Izpūtiet izveidojušos putekļus no caurumiem.
MT	Iġbed 'il barra t-trab iġġenerat minn ġol-ħofor.
NL	Blaas de stof weg van de gaten.
PL	Wydmuchać powstały pył z otworów.
PT	Sopre a poeira gerada pelos orifícios.
RO	Suflați din găuri praful format.
RU	Выдуйте скопившуюся в отверстиях пыль.
SI	Iz lukenj izpihnite nastali prah.
SV	Blås ut uppkommet damm från hålen.
SK	Vytvorený prach vyfúknite z otvorov.

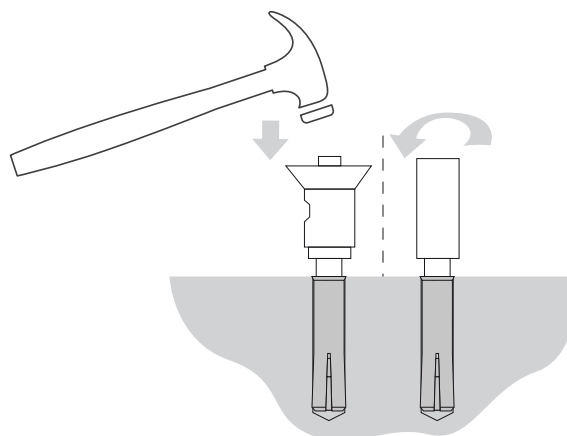
3.



EN	Strike the anchors into the holes with a hammer so that the top of the anchors are flush with the surface of the concrete.
AR	قم بدق الخطافين في الثقبين بواسطة مطرقة بحيث يكون رأس كل خطاف مستوية مع سطح الخرسانة.
BG	Забийте анкери в отворите с чук, така че горната част на анкерите да се изравни с повърхността на бетона.
CN	用錘子將壁虎打入孔中，使壁虎的頂部與混凝土表面齊平。
CZ	Kladivem natlučte kotvy tak, aby byl okraj kotev zarovnáán s povrchem betonu.
DE	Schlagen Sie die Anker mit einem Hammer so in die Löcher, dass die Oberseite der Anker bündig mit der Betonoberfläche abschließt.
DK	Slå ankerne ind i hulene med hamren, for at ankernes top bliver jævn med betonens overflade.
EE	Lööge ankrupoldid haamriga aukudesse, nii et ankrupoltide pealmine ots on jääb betooni pinnaga tasapinnaliselt.
ES	Coloque los anclajes en los orificios con un martillo de modo que la parte superior de los anclajes quede a ras de la superficie del hormigón.
FI	Lyö ankkurit reikiin vasaralla niin, että ankkurien yläosa on samalla tasolla betonin pinnan kanssa.
FR	À l'aide d'un marteau, enfoncer les chevilles à frapper-expansion (à collerette) dans les trous de sorte qu'elles restent à ras de la surface du béton.
GR	Εγκαταστήστε τα αγκύρια μέσα τις οπές με ένα σφυρί, έτσι ώστε το πάνω μέρος των αγκυρίων να είναι πρόσωπο με την επιφάνεια του σκυροδέματος.
HR	Udarite sidra u rupe čekićem tako da vrhovi sidra budu na razini betonske površine.
HU	Kalapáccsal üsse be a tipliket a furatokba úgy, hogy a tiplik teteje egy szintben legyen a beton felületével.
IT	Fissare le ancorette nei fori con un martello in modo che la parte superiore delle ancorette sia a filo con la superficie del cemento armato.
JA	アンカーの上部がコンクリートの面と同一平面になるようにハンマーでアンカーを穴に打ち込みます。
LT	Įkalkite mūrvinės plaktuku į skyles taip, kad, mūrvinės viršutinė dalis būtų lygi su betono paviršiumi.
LV	Ar āmuru iesietiet enkurus caurumos, lai enkuru augšdaļa būtu vienā līmenī ar betona virsmu.
MT	Dahhal l-ankri fit-toqob b'martell sabiex l-gholi tal-ankri ikunu flaxx mal-wiċċ tal-konkrit.
NL	Hamer de ankers in de gaten zodat de bovenkant van de ankers gelijk zijn met het oppervlakte van het beton.
PL	Wbić kotwy do otworów za pomocą młotka, tak aby górna część kotew zrównała się z powierzchnią betonu.
PT	Coloque as ancoragens nos orifícios com um martelo de modo a que a parte superior das ancoragens fique encaixada na superfície do betão.
RO	Introduceți ancorele în găuri cu ajutorul unui ciocan, astfel încât partea superioară a ancorelor să fie la nivel cu suprafața betonului.
RU	Вбейте анкеры в отверстия молотком так, чтобы их верхняя часть находилась заподлицо с поверхностью бетона.
SI	Sidro udarite v luknje s kladivom, tako da se vrh sidra poravna s površino betona.
SV	Slå in ankarna i hålen med en hammare så att ankarnas översida står jämnt med betongytan.
SK	Kladivom zatlačte kotvy do otvorov tak, aby horná časť kotiev bola v jednej rovine s povrchem betónu.



4.



EN

Use the HILTI HSD-G M12x50 or HSD-M M12x50 setting tool to widen the bottom of the anchors.

AR

لتوسيع قاع الخفافين. HILTI HSD-G M12x50 أو HSD-M M12x50 استخدم أداة الضبط

BG

Използвайте инструмент за монтаж HILTI HSD-G M12x50 или HSD-M M12x50, за да разширите дъното на анкерите.

CN

使用 HILTI HSD-G M12x50 或 HSD-M M12x50 安装工具扩开壁虎的底部。

CZ

Pomocí nástroj pro nastavení HILTI HSD-G M12x50 nebo HSD-M M12x50 rozšířte spodní část kotev.

DE

Verwenden Sie das Einstellwerkzeug HILTI HSD-G M12x50 oder HSD-M M12x50, um die Unterseite der Anker zu verbreitern.

DK

Brug HILTI HSD-G M12x50 or HSD-M M12x50 monteringsværktøjet for at udvide ankernes bund.

EE

Kasutage ankrupoltide põhjaosa laiendamiseks seadetööriista HILTI HSD-G M12x50 või HSD-M M12x50 seadetööriista.

ES

Utilice la herramienta de ajuste HILTI HSD-G M12x50 o HSD-M M12x50 para ensanchar la base de los anclajes.

FI

Laajenna ankureiden alaosaa asetustyökalulla HILTI HSD-G M12x50 tai HSD-M M12x50.

FR

Utiliser l'outil de pose HILTI HSD-G M12x50 ou HSD-M M12x50 pour élargir les bouts des chevilles à frapper-expansion.

GR

Χρησιμοποιήστε το εργαλείο ρύθμισης HILTI HSD-G M12x50 ή HSD-M M12x50 για να διευρύνετε το κάτω μέρος των αγκυρίων.

HR

Proširite dno sidrišta pomoću alata za podešavanje HILTI HSD-G M12x50 ili HSD-M M12x50.

HU

Használgjon HILTI HSD-G M12x50 vagy HSD-M M12x50 feszítőhüvelyt a tiplik alsó részének kiszélesítéséhez.

IT

Utilizzare l'attrezzo manuale di posa HILTI HSD-G M12x50 o HSD-M M12x50 per allargare il fondo delle ancorette.

JA

HILTI HSD-G M12x50またはHSD-M M12x50設置工具を使用して、アンカーの下部を広げます。

LT

Naudokite HILTI HSD-G M12x50 ar HSD-M M12x50 reguliavimo įrankį, kad praplatintumėte mūrvinės apačią.

LV

Izmantojiet iestatīšanas rīku HILTI HSD-G M12x50 vai HSD-M M12x50, lai paplašinātu enkuru apakšdaļu.

MT

Uża l-ghodda li tissettja HILTI HSD-G M12x50 jew HSD-M M12x50 biex twassa' l-qiegħ tal-ankri.

NL

Gebruik het gereedschap HILTI HSD-G M12x50 of HSD-M M12x50 om de onderkant van de ankers uit te rekken.

PL

Za pomocą narzędzia do osadzenia HILTI HSD-G M12x50 lub HSD-M M12x50 rozszerzyć dolną część kotew.

PT

Utilize a ferramenta de ajuste HILTI HSD-G M12x50 ou HSD-M M12x50 para alargar a parte inferior das ancoragens.

RO

Folositi instrumentul de reglare HILTI HSD-G M12x50 sau HSD-M M12x50 pentru a largi partea inferioară a ancorelor.

RU

Для расширения нижней части анкеров используйте установочное устройство HILTI HSD-G M12x50 или HSD-M M12x50.

SI

Uporabite orodje za nastavitev HILTI HSD-G M12x50 ali HSD-M M12 x 50, da razširite dno sidra.

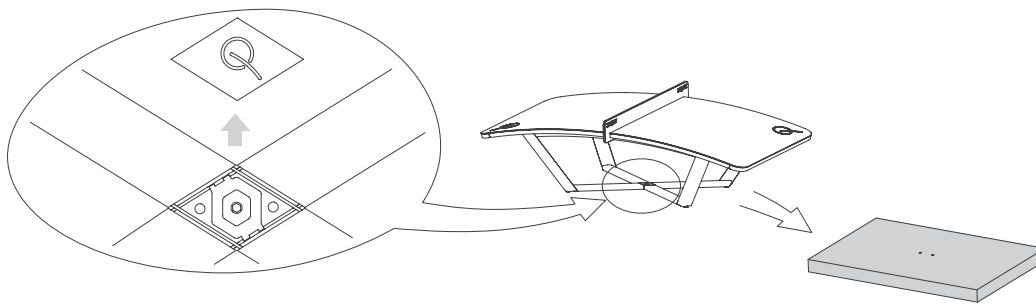
SV

Använd HILTI HSD-G M12x50 eller HSD-M M12x50 sättskytget för att bredda ankarnas botten.

SK

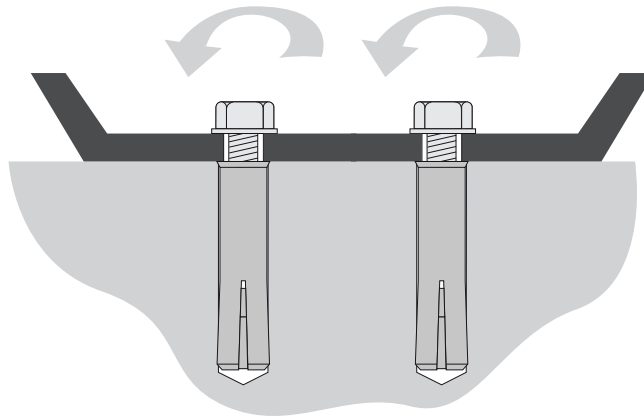
Na rozšírenie spodnej časti kotiev použite nastavovací nástroj HILTI HSD-G M12x50 alebo HSD-M M12x50.

5.



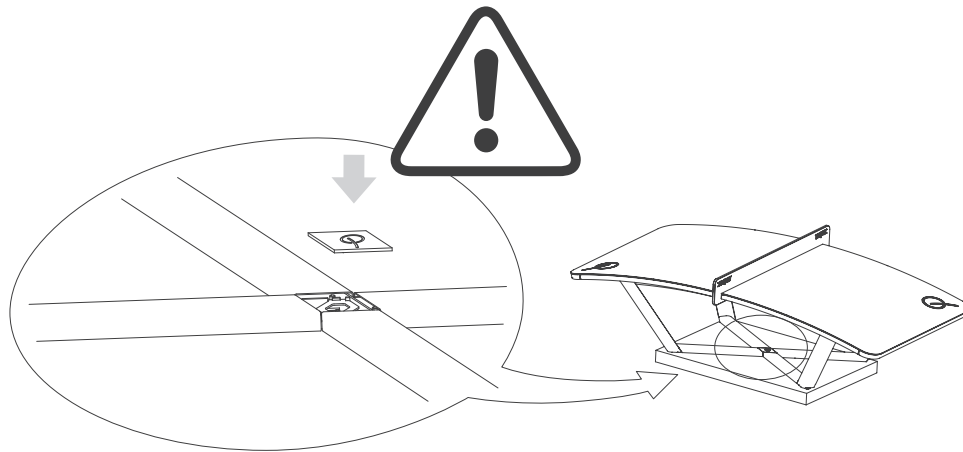
EN	Remove the covering cap from the leg structure of the TEQ One table, then lift the table and move to position the table's bores above the holes.
AR	ارفع سداة التغطية من ساق هيكل منضدة تيك بول وان، ثم ارفع المنضدة وحركها بحيث يكون موضع فتحتي المنضدة فوق الثقبين.
BG	Свалете покриващата капачка от крака на масата TEQ One, след това повдигнете масата и я придвижете, за да позиционирате дупките на масата над направените дупки.
CN	從 Teq One 桌腿結構上取下蓋帽，然後抬起並移動桌子，將桌子孔定位在孔上方。
CZ	Sundejte krytku z konstrukce nohy stolu TEQ One a pak stůl zvedněte a posuňte tak, aby otvory stolu byly nad otvory.
DE	Entfernen Sie die Abdeckkappe von der Beinstruktur des Tisches TEQ One, heben Sie dann den Tisch an und positionieren Sie die Bohrungen des Tisches oberhalb der Löcher.
DK	Flyt afdækningslåget fra benkonstruktionen af TEQ One bordet, derefter løft bordet og flyt det til at placere bordets borehuller over hulene.
EE	Eemaldage kattekork TEQ One laua jalastruktuurilt, seejärel tõstke lauda ja liigutage seda nii, et laua puuraugud asetuvad aukude kohale.
ES	Retire la tapa de cobertura de la estructura de la pata de la mesa TEQ One, después levante la mesa y mueva a su posición los taladros por encima de los orificios.
FI	Poista suojus TEQ One -pöydän jalkarakenteesta, siirrä sitten pöytää siten, että siihen poratut reiät osuvat alustassa oleviin reikiin.
FR	Retirez le couvercle de protection de la structure de pieds de la table TEQ One, puis soulever la table et ajuster les trous de la table au-dessus des trous contenant des chevilles à frapper-expansion.
GR	Αφαιρέστε το κάλυμμα κάλυψης από τη δομή των ποδιών του TEQ One table, στη συνέχεια σηκώστε το τραπέζι και μετακινηθείτε για να τοποθετήσετε τις οπές του τραπεζιού πάνω από τις οπές.
HR	Skinite pokrovni poklopac s postolja stola TEQ One, a zatim podignite stol i namjestite ga da provrti stola budu iznad rupa.
HU	Távolítsa el a TEQ One asztal tartószerkezetéről a takaró sapkát, majd emelje meg az asztalt és állítsa be úgy, hogy az asztalon található lyukak a furatok fölé kerüljenek.
IT	Rimuovere il cappuccio di copertura dalla struttura delle gambe del tavolo TEQ One, quindi sollevarlo e spostarlo per posizionare i fori sul tavolo sopra i fori sulla base.
JA	テックボールワンテーブルの脚構造からカバーキャップを外します。次に、テーブルを持ち上げて、テーブルの穴をさきほどの穴の上に合わせます。
LT	Nuimkite dengiamąjį gaubtelį nuo „TEQ One“ stalo kojos konstrukcijos, tada stalą pakelkite ir nustatykite stalo kiaurymes virš skylių.
LV	Noņemiet vāciņu no TEQ One galda kāju struktūras, pēc tam paceliet galdu un pārvietojiet, lai urbumi galdā būtu novietoti virs caurumiem.
MT	Nehñi l-kopert li jkopri s-struttura tas-sieq tal-mejda ta' TEQ One, imbagħad għolli l-mejda biex tqiegħed it-taqqaba tal-mejda fil-pożizzjoni fuq it-toqob.
NL	Verwijder het afdekkingskapje van de tafelpootstructuur van de TEQ One tafel. Til de tafel vervolgens op en plaats de tafel boven de gaten.
PL	Zdjąć zaślepkę z podstawy stołu TEQ One, następnie unieść stół i przenieść go nad otwory wywiercone w podłożu.
PT	Remove a tampa de cobertura da estrutura das pernas da mesa TEQ One e, em seguida, levante a mesa e mova-a de forma a posicionar os furos da mesa por cima dos orifícios.
RO	Îndepărtați capacul de acoperire de pe structura piciorului mesei TEQ One, apoi ridicați masa și mutați-o astfel încât orificiile mesei să fie poziționate deasupra găurilor.
RU	Снимите защитный колпачок с конструкции ножек стола TEQ One, затем приподнимите стол и переместите его так, чтобы высверленные отверстия стола находились над отверстиями.
SI	Odstranite pokrov s strukture za noge mize TEQ One, nato dvignite mizo in se pomaknite, da namestite izvrtine mize nad luknje.
SV	Ta bort skyddslocket från benstrukturen till TEQ One-bordet och lyft sedan bordet och för bordets borrhål i position över hålen.
SK	Odstráňte kryt z nohy stola TEQ One, potom nadvihnite stól a posuňte ho tak, aby sa jeho otvory nachádzali nad vyvŕtanými otvormi.

6.

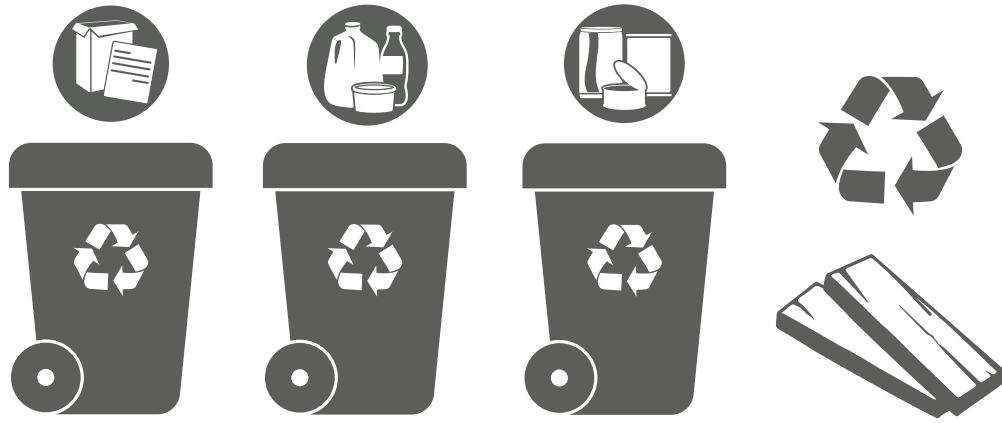


EN	Position the table right over the holes and then screw in the galvanized hexagon screws. We advise inserting the screws gradually, making sure the table is positioned correctly before tightening. Required torque: max 30 Nm.
AR	اضبط المنضدة فوق الثقيبين تمامًا، ثم اربط مسمارين سداسيين مجلفنين. ننصح بإدخال المسامير بالتدريج، والتأكد أن المنضدة في وضع سليم قبل إحكام ربط المسامير. العزم المطلوب: 30 نيوتن متر.
BG	Поставете масата точно над дупките и след това завинтете поцинкованите винтове с шестоъгълна глава. Препоръчваме да поставяте винтовете постепенно, както и да се уверите, че масата е разположена правилно преди затягането им. Необходим въртящ момент: макс. 30 Nm.
CN	將桌子放在孔的正上方，然後擰入鍍鋅內六角螺釘。建議逐步插入螺釘，確保在擰緊前桌子的位置正確無誤。所需扭矩：最大 30 Nm。
CZ	Umístěte stůl nad otvory a pak zašroubujte šroub do pozinkovaných šestihřanných šroubů. Doporučujeme vkládat šrouby postupně, ujistěte se, že je stůl ve správné poloze a poté dotáhněte. Potřebný moment: max 30 Nm.
DE	Positionieren Sie den Tisch genau über den Löchern und schrauben Sie dann die verzinkten Sechskantschrauben ein. Wir empfehlen, die Schrauben schrittweise einzusetzen und vor dem Festziehen sicherzustellen, dass der Tisch richtig positioniert ist. Erforderliches Drehmoment: max. 30 Nm.
DK	Placer bordet præcis over hulene og derefter skrue de galvaniserede sekskantede skruer ind. Vi anbefaler at indsætte skruene gradvis, for at være sikker at bordet er placeret korrekt før stramningen. Nødvendige drejningsmoment: max. 30 Nm.
EE	Asetage laud otse aukude peale ja seejärel kruvige sisse galvaanitud kuuskantkruvid. Soovitame kruvid järk-järgult sisse kruvida, veendudes enne kruvide kinnipinguldamist pingutamist, et laud on õiges asendis. Nõutav jõumoment: max 30 Nm.
ES	Coloque la mesa justo sobre los orificios y después atornille los tornillos hexagonales galvanizados. Aconsejamos introducir los tornillos gradualmente, asegurándose de que la mesa se coloca correctamente antes del atornillado. Par requerido: máx. 30 Nm.
FI	Aseta pöytä suoraan reikien päälle, ja kiinnitä se paikalleen sinkityillä kuusikulmaruuveilla. Ruuvit kannattaa laittaa paikoilleen vaiheittain, ja ennen kiristämistä on varmistettava, että pöytä on oikein paikalla. Vaadittu kiristysmomentti: maks. 30 Nm.
FR	Placer la table exactement au-dessus des trous, puis visser les vis hexagonales galvanisées. Avant de serrer complètement les vis, il est recommandé de les insérer progressivement en s'assurant que la table est correctement ajustée. Couple requis : 30 Nm au maximum.
GR	Τοποθετήστε το τραπέζι ακριβώς πάνω από τις οπές και μετά βιδώστε τις γαλβανισμένες εξαγωνες βίδες. Σας συμβουλεύουμε να τοποθετήσετε τις βίδες σταδιακά, βεβαιωθείτε ότι το τραπέζι είναι σωστά τοποθετημένο πριν σφίξετε. Απαιτούμενη ροπή: μέγιστο 30 Nm.
HR	Smjestite stol točno iznad rupa i zavijte pocinčane šesterokutne vijke. Preporučujemo da vijke umetnete postepeno, pažeći da stol bude pravilno postavljen prije zatezanja. Potrebni zakretni moment: max 30 Nm.
HU	Állítsa be úgy az asztalt, hogy pontosan a furatok fölé kerüljön, és csavarozza be a galvanizált hatszögletű csavarokat. Javasoljuk, hogy fokozatosan csavarja be a csavarokat, és győződjön meg arról, hogy az asztal a megfelelő helyzetben van, mielőtt szorosra húzná a csavarokat. Szükséges nyomaték: max. 30 Nm.
IT	Posizionare il tavolo proprio sopra i fori e quindi avvitarle le viti esagonali zincate. Si consiglia di inserire le viti gradualmente, assicurandosi che il piano sia posizionato correttamente prima del serraggio. Coppia richiesta: max 30 Nm.
JA	テーブルを穴の真上に合わせ、亜鉛メッキされた六角ネジを締めます。その際、ネジを徐々に挿入し、締め付ける前にテーブルが正しい位置にあることを確認することをお勧めします。必要なトルク：最大30 Nm。
LT	Stalo padėtį nustatykite taip, kad jis būtų tiksliai virš skylių ir tada priveržkite cinkuotus šešiakampius varžtus. Rekomenduojame varžtus priveržti palaipsniui ir prieš galutinai priveržiant įsitikinti, kad stalo padėtis tinkama. Reikalingas sukimo momentas: maks. 30 Nm.
LV	Novietojiet galdu tieši virs caurumiem un pēc tam ieskrūvējiet cinkotās sešstūra skrūves. Ieteikts skrūves ievietot pakāpeniski, pirms pievilkšanas pārļiecinieties, ka galds ir novietots pareizi. Nepieciešamais griezes moments: maks. 30 Nm.
MT	Qiegħed il-mejda eżatt fuq it-toqob u mbagħad invithom fil-viti heksagonali. Aħna nirrakomandaw li l-viti jiddahhlu gradwalment, u billi tagħmel żgur li jkun pożizzjonati korettament qabel ma jiġu ssikkati. Tork meħtieġ; mass 30 Nm
NL	Plaats de tafel boven de gaten en draai de gegalvaniseerde zes-kantschroeven vast. Wij raden het aan om de schroeven geleidelijk aan vast te draaien en er zeker van te zijn dat de tafel correct is geplaatst voor het vastdraaien. Vereiste koppel: max 30 Nm.
PL	Ustawić stół nad otworami i wprowadzić do nich ocynkowane śruby sześciokątne. Zaleca się stopniowe wkręcanie śrub, a przed ich dokręceniem upewnić się, że stół jest prawidłowo ustawiony. Wymagany moment obrotowy: maks. 30 Nm.
PT	Posicione a mesa sobre os orifícios e, em seguida, aparafuse os parafusos sextavados galvanizados. Recomendamos inserir os parafusos gradualmente, certificando-se de que a mesa está posicionada corretamente antes de apertar. Binário necessário: máx. 30 Nm.
RO	Poziționați masa exact deasupra orificiilor și apoi strângeți șuruburile zincate hexagonale. Vă recomandăm să introduceți șuruburile treptat, asigurându-vă că masa este poziționată corect înainte de strângere. Cuplu necesar: max 30 Nm.
RU	Расположите стол прямо над отверстиями и затяните оцинкованные винты с шестигранной головкой. Рекомендуется вставлять винты постепенно, убедившись в правильном положении стола перед затягиванием. Необходимый момент затяжки: макс. 30 Nm.
SI	Mizo namestite desno čez luknje in nato privijte pocinkane šesterokotne vijake. Svetujemo, da vijake vstavite postopoma; pri tem pazite, da je miza pravilno nameščena pred zategovanjem. Potreben navor: največ 30 Nm.
SV	Positionera bordet rätt över hålen och skruva sedan in de galvaniserade sexkantskruvarna. Det rekommenderas att skruvarna förs in gradvis och att bordets korrekta position kontrolleras innan åtdragning. Erforderligt vridmoment: max 30 Nm.
SK	Umístňte stôl priamo nad otvory a potom zaskrutkujte pozinkované šesťhranné skrutky. Odporúčame vkladať skrutky postupne a pred utiahnutím skontrolovať, či je stôl správne umiestnený. Požadovaný ťaťahovací moment: max. 30 Nm.

7.



EN	Put the covering cap back to its proper place. Before using the table, please check if the table is fix and cannot be moved from the installation area.
AR	ضع سداة الغطاء في موضعها الصحيح من جديد. قبل استخدام المنضدة، يرجى التأكد من ثباتها وعدم تحركها في منطقة التركيب.
BG	Поставете покриващата капачка обратно на мястото ѝ. Преди да използвате масата, моля, проверете дали масата е фиксирана и не може да бъде преместена от зоната на монтаж.
CN	把蓋帽放回原位。使用桌子前，請檢查桌子是否已固定，且不會移動出安裝區域。
CZ	Vložte krytu zpět na své místo. Před použitím stolu zkontrolujte, zda je stůl pevný a nelze jej z místa instalace posunout.
DE	Setzen Sie die Abdeckkappe wieder an ihren korrekten Platz. Bevor Sie den Tisch verwenden, überprüfen Sie bitte, ob der Tisch sicher steht und nicht aus dem Installationsbereich bewegt werden kann.
DK	Læg afdækningslåget tilbage på dens rigtige plads. Før bordet bruges, check venligst om bordet er fikseret og kan ikke flyttes fra monteringsområdet.
EE	Pange kattekork selle õigesse kohta tagasi. Enne laua kasutamist kontrollige palun, kas laud on kindlalt fikseeritud ja seda ei saa paigalduskohast ära liigutada.
ES	Coloque la tapa de cobertura nuevamente en su lugar correspondiente. Por favor, antes de usar la mesa compruebe si la mesa está fijada y no se puede mover de la zona de instalación.
FI	Laita suojus takaisin paikalleen. Ennen kuin käytät pöytää, varmista, että se on lujasti paikallaan eikä se pääse siirtymään asennuspaikaltaan.
FR	Remettez le couvercle de protection à sa place. Avant d'utiliser la table, vérifiez si la table est bien fixée et ne peut pas être déplacée de la zone d'installation.
GR	Επανατοποθετήστε το κάλυμμα στην κατάλληλη θέση. Πριν χρησιμοποιήσετε το τραπέζι ελέγξτε ότι αυτό είναι σταθερό και ότι δεν μπορεί να μετακινηθεί από την περιοχή εγκατάστασης.
HR	Vratite poklopac na odgovarajuće mjesto. Prije upotrebe stola, uvjerite se da je stol postavljen ispravno i da se ne može pomaknuti s instalacijskog područja.
HU	Tegye vissza a takaró sapkát a helyére. Az asztal használatba vétele előtt ellenőrizze, hogy az asztal biztosan áll és nem lehet elmozdítani a telepítés helyéről.
IT	Riposizionare il tappo di copertura nella posizione corretta. Prima di utilizzare il tavolo, verificare che sia ben fissato a terra e non possa essere spostato dal luogo di installazione.
JA	カバーキャップを元の場所に戻します。テーブルを使用する前に、テーブルが固定されていて、設置場所から動かない状態であることを確認してください。
LT	Vėl uždėkite dengiamąjį gaubtelį atgal į vietą. Prieš stalo naudojimą patikrinkite, ar stalas tvirtai stovi ir jo negalima pajudinti iš montavimo vietos.
LV	Novietojiet pārsega vāciņu atpakaļ pareizajā vietā. Pirms galda lietošanas, lūdzmu, pārbaudiet, vai galds ir nofiksēts un vai to nevar pārvietot no instalācijas zonas.
MT	Qiegħed il-kappa li tkopri lura f'postha. Qabel ma tuża l-medja, jekk jogħġbok aċċerta li l-medja hija mwaħħla u ma tistax tiċċaqlaq minn fejn tqegħdet.
NL	Plaats het afdekkingskapje weer op zijn plek. Voor de tafel te gebruiken, controleer of de tafel vast staat en niet van het installatiegebied verwijderd kan worden.
PL	Założyć zaślepkę z powrotem na właściwe miejsce. Przed użyciem stołu sprawdzić, czy stół jest stabilny i nie można go przesunąć z miejsca mocowania.
PT	Volte a colocar a tampa de cobertura no seu devido lugar. Antes de utilizar a mesa, verifique se está fixa e não se desloca da área de instalação.
RO	Puneți înapoi capacul la locul său. Înainte de folosirea mesei, asigurați-vă că masa este fixă și nu poate fi mutată din zona în care a fost instalată.
RU	Установите защитный колпачок на место. Перед использованием стола необходимо удостовериться в том, что он зафиксирован и не сдвигается с места установки.
SI	Pokrov vrnite na svoje mesto. Pred uporabo preglednice preverite, ali je pritrjena in je ni mogoče premakniti iz območja namestitve.
SV	Sätt tillbaka skyddslocket på rätt plats. Innan du använder bordet kontrollera att bordet sitter fast och inte kan flyttas från installationsområdet.
SK	Nasadte kryt späť na miesto. Pred použitím stola skontrolujte, či je pevný a či sa nedá presunúť z oblasti inštalácie.



**WORLD IS  
CURVED**

**TEQ ONE**

**ONE  
OWNER'S  
MANUAL**