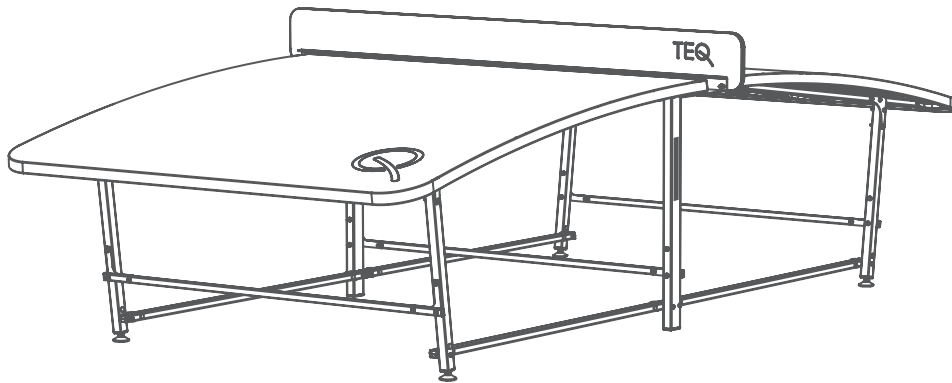


TEQ X

INDOOR/OUTDOOR

2191-092320AA



OWNER'S MANUAL

INFORMATION FOR USERS

ENGLISH (EU,US)

Before using or assembling the product read the document very carefully. Please keep the manual as you may need the included information in the future. The product is under international patent, trademark and copyright protection. If you cannot find the instructions in your language please visit www.teqball.com

SPECIFICATIONS OF THE PRODUCT

Product dimensions:
3000x1700x900 [mm]
Total weight: max 85 kg

CONTACT: Teqball Kft.
Street: Expo tér 5-7
City: Budapest
Country: Hungary
Postal code: 1101

The product can be used by wheelchair users.



This product is certified by:

2001/95/EC General Product Safety Directive
EN 14468-1:2015 (where relevant)

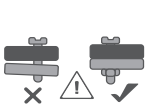


SAFETY AND WARNINGS

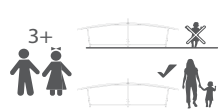
Please, follow closely these instructions when assembling the table; warranty claims are not valid if the assembly is faulty. Teq X table is a specially designed piece of sports equipment and it is not suitable for any other purposes.



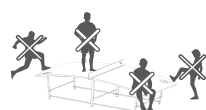
It is forbidden to use the table in extreme weather conditions. (storm, lightning, under -20 and above +40 degrees Celsius).



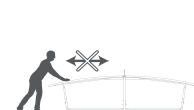
Do not use in case of missing or defective parts.



Do not leave children unsupervised around the table (including setting-up and storing periods as well). Not allowed under age of 3.



It is forbidden to jump, stand, sit, lie/lean on the table or kick it.



It is forbidden to move the table in a fully assembled position.



Do not wear jewellery or watch during the assembly or playing



If the security label with the serial number is damaged or removed, the warranty is invalid!

HANDLING & MAINTENANCE

Clean the surface with warm water and use a mop (DO NOT use any abrasive sponges). Regular maintenance is essential to keep the Teq X table safe and reliable. At least twice a month check all screws, nuts to ensure that they function properly. During the periods when your TEQ X is out of use, it is recommended to cover the product and store it that way. This way you will have a better chance to avoid weather-caused damages such as fading of the tabletop or corrosion of the steel structure.

Replacing any component with an improper part makes the table unsafe. Always use original Teq X components for replacements! In case of any question please contact us on support@teqball.com

TEQBALL PRODUCT WARRANTY (EU,USA)

Teqball is proud to provide the following warranty (the "Warranty") on its high quality products to its consumer Customers, beyond any other legal remedies or warranties that they may have under applicable law: Risks/costs covered by the Warranty: latent product defects relating to materials and/or workmanship; shipping, packaging, handling and customs fees relating to product repair or replacement; repair costs; Risks/costs excluded from the Warranty: product surface damage (except paint damage or rust caused by manufacturing defects, which are covered); damage caused by misuse, neglect, accident; damage caused by not following any instruction in the Owner's Manual; normal wear and tear; damage suffered in transport; damage suffered during or after a repair or installation by unlicensed third parties; potential, indirect, incidental, special, punitive or consequential damage, even if informed of the possibility of such beforehand;

Warranty period: 2 (two) calendar years from date of delivery to the Customer; **Warranty claim window:** unless otherwise specified in applicable law, 10 (ten) calendar days from the date damage was noticed or should have been noticed; **Proof of claimed damage or costs:** photo or video of damage accompanied by photo of serial number; costs substantiated by written documentation; **Format of warranty claim:** email to support@teqball.com, including (a) proof of claimed damage or costs, (b) proof of purchase including date of purchase, and (c) proof of resale if resold to another consumer;

Remedy of warranty claim: within 20 business days of receipt of a valid warranty claim, Teqball shall provide, at the Customer's option and at Teqball's expense, either (1) a full refund of the purchase price to Customer's bank account located in the country of purchase, (2) replacement with a table in the same range shipped to Customer's address located in the country of purchase or (3) repair or replacement of a damaged part (at Teqball's discretion). In each case, Teqball may reclaim the damaged table or part.

Claims after warranty period: beyond the warranty period, Teqball provides quality repair services through its network of certified professionals, at the Customer's cost.

No distributor or agent may vary the terms of this Warranty. If the terms of this Warranty contradict the terms of a sales contract entered into by Teqball, the conditions specified in such contract shall prevail.

Warranty covers surface corrosion occurring during proper use for 2 (two) years, if caused by material defect or manufacturing defect.

The warranty does not cover:

Noise, vibration, normal wear and tear, discoloration, fading or deformation not exceeding the normal range, which cannot be considered as a factor affecting the operation or quality of the table.

Damage or malfunction directly or indirectly caused by the following external factors:

- Theft, intentional damage, or neglect.
- Misuse of the table, e.g. overloading it.
- If the repair during warranty period was performed by an unlicensed third party.
- Alteration, modification or use of non-original Teqball components.
- Unsatisfactory maintenance periods or the use of chemicals not recommended in the "Owner's Manual".
- Objects flying in the air, acidic, toxic substances, resins, gravel or small stones, bird droppings, lightning, and similar contaminants.
- Fire/water damage.

PRODUCT LIABILITY

The Teqball product you have purchased (the "Product") is manufactured to the highest industry and safety standards (including EN 14468-1:2015; UL 962) and Teqball constantly performs quality and safety testing to ensure that these standards are maintained or exceeded. Nevertheless, no product, especially one with heavy or moving parts, is completely risk free.

SERIOUS INJURY OR DEATH MAY RESULT FROM NOT FOLLOWING THE INSTRUCTIONS IN THE OWNER'S MANUAL. IN WHICH CASE TEQBALL AND ITS ASSOCIATED ENTITIES AND PERSONNEL DECLINE ALL LIABILITY IN ALL CIRCUMSTANCES, AND TO THE FULLEST EXTENT ALLOWED BY APPLICABLE LAW, TEQBALL'S LIABILITY RELATING TO DIRECT DAMAGE SUFFERED IN RELATION TO THE PRODUCT SHALL BE LIMITED TO (1) \$100,000 (ONE HUNDRED THOUSAND USD) OR (2) ACTUAL SUBSTANTIATED DAMAGES, WHICHEVER IS LOWER.

NO LIMITATION OF LIABILITY SHALL APPLY TO INJURY OR DEATH CAUSED BY TEQBALL'S GROSS NEGLIGENCE OR TO ANY OTHER DAMAGE THAT MAY NOT BE LIMITED BY APPLICABLE LAW. IN ALL CIRCUMSTANCES, AND TO THE GREATEST EXTENT ALLOWED BY APPLICABLE LAW, TEQBALL DECLINES ALL POTENTIAL, INDIRECT, SPECIAL, INCIDENTAL, PUNITIVE OR CONSEQUENTIAL DAMAGE SUFFERED IN RELATION TO THE PRODUCT, EVEN IF INFORMED OF THE POSSIBILITY OF SUCH BEFOREHAND.

Any liability claim must be substantiated by documentary evidence recorded within 5 calendar days of sustaining the damage and submitted to legal@teqball.com within 10 business days of the same date, unless longer claim windows are provided by applicable law.

PICTOGRAM DESCRIPTION



Keep horizontal



Tighten completely (4 Nm)



Stop halfway (2 Nm)

x2

Repeat on both sides



Identify parts by length



Use of electric or pneumatic screwdrivers is prohibited

ENVIRONMENT

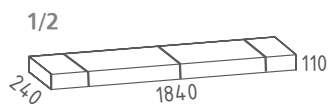
The packaging is made entirely of recyclable materials, which you may dispose of at local recycling facilities. Contact your local refuse disposal authority for more details of how to dispose of your worn-out product.

To help protect the environment, please dispose of the product properly when it has reached the end of its useful life and not in the household waste. Information on collection points and their opening hours can be obtained from your local authority.

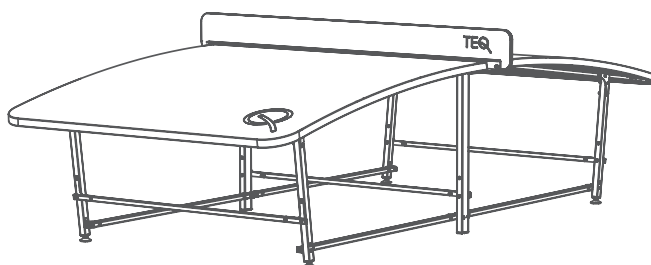
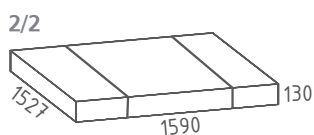




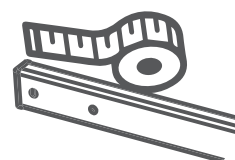
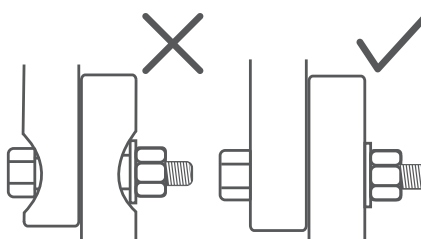
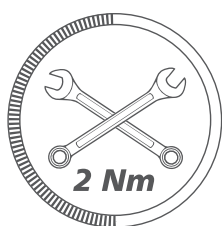
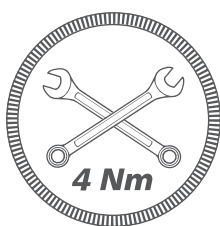
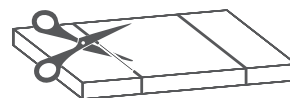
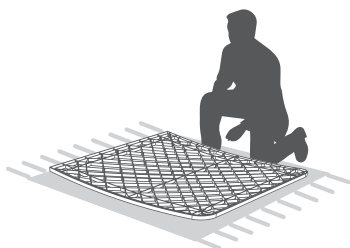
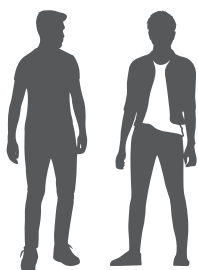
1x 37kg



1x 54kg



85kg



C33 x4



C23 x2



C24 x2



C25 x4



C26 x4



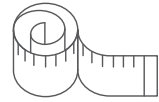
C27 x3



2x



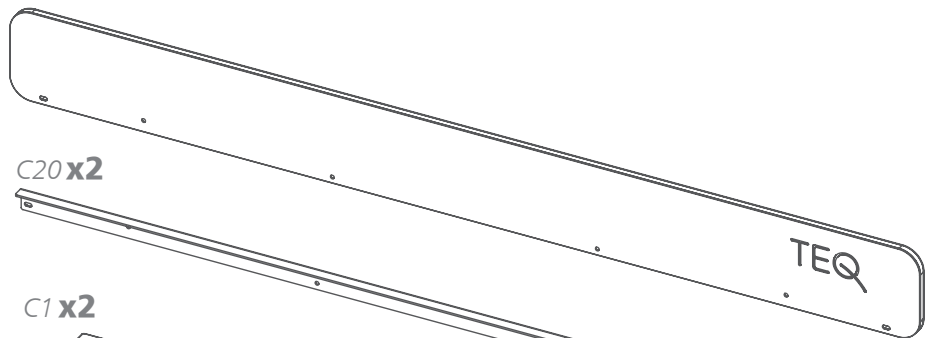
1x



C28 x6



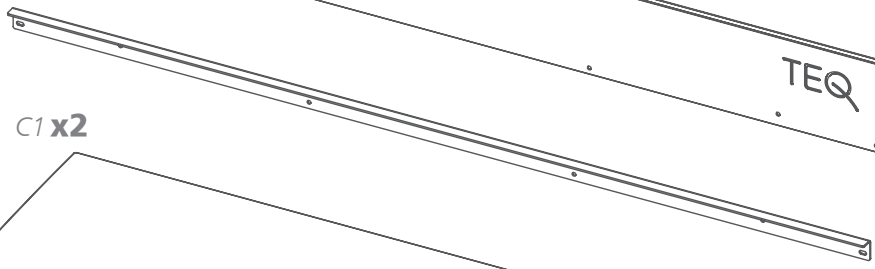
C19 x1



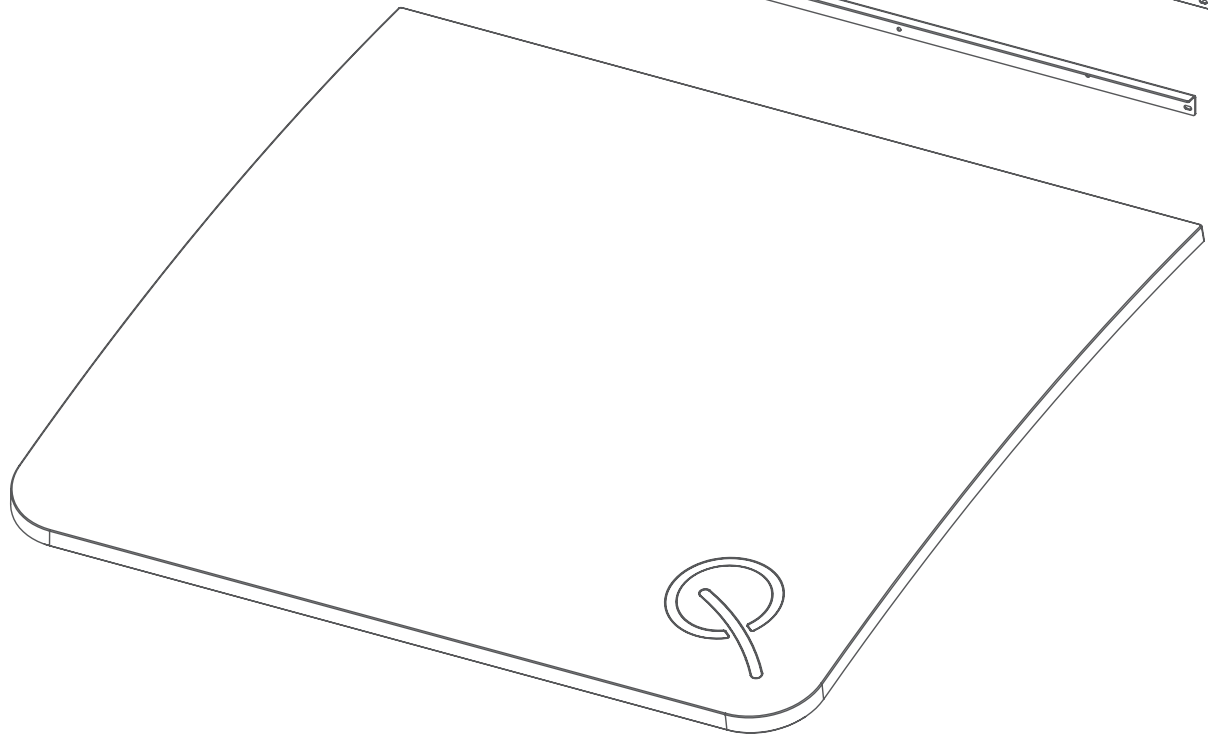
C29 x4

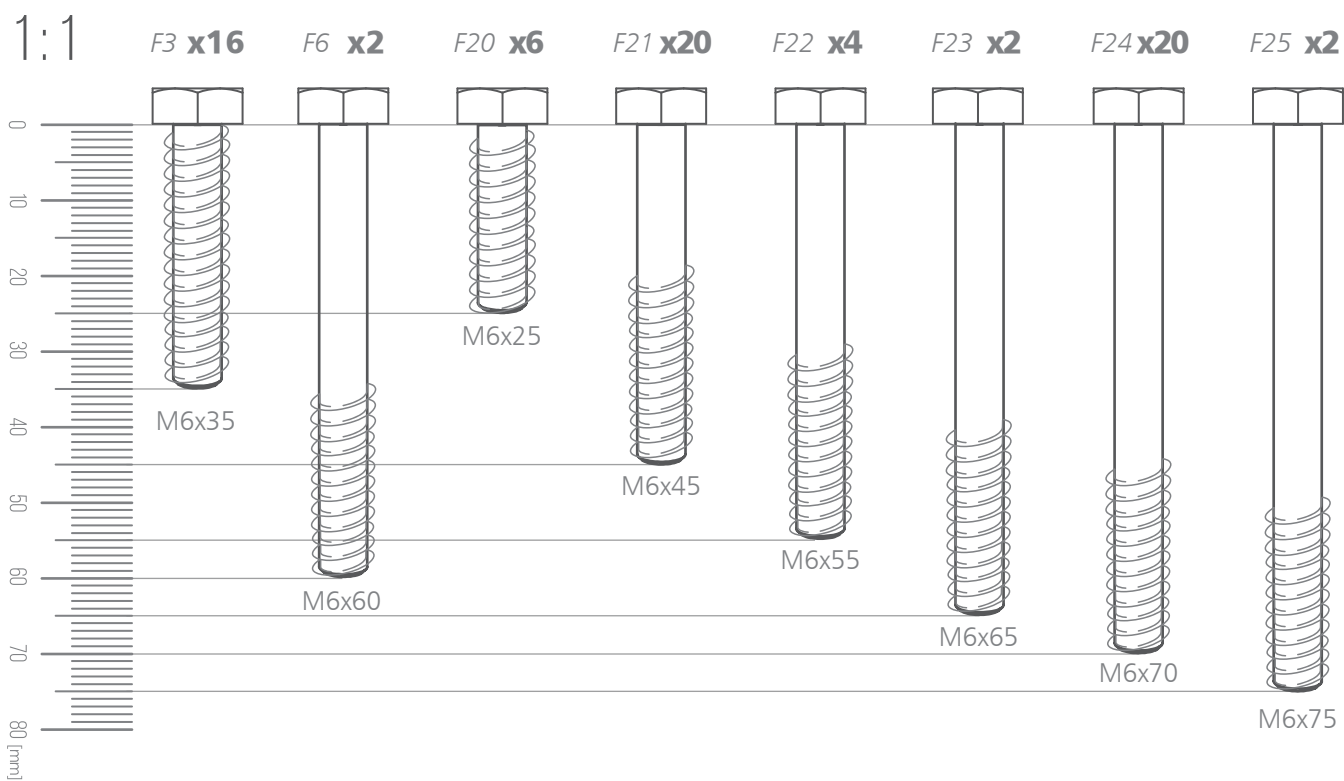


C20 x2

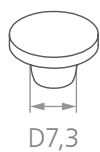


C1 x2





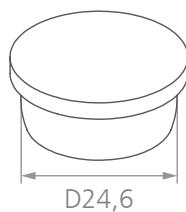
A6 x24



A11 x8



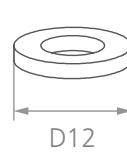
A12 x8



F13 x60



F16 x74



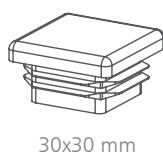
E1 x6



E2 x8



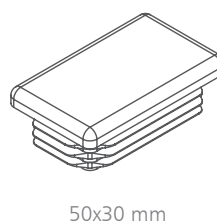
E4 x8



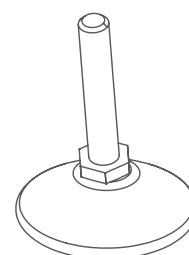
E5 x8



E6 x2

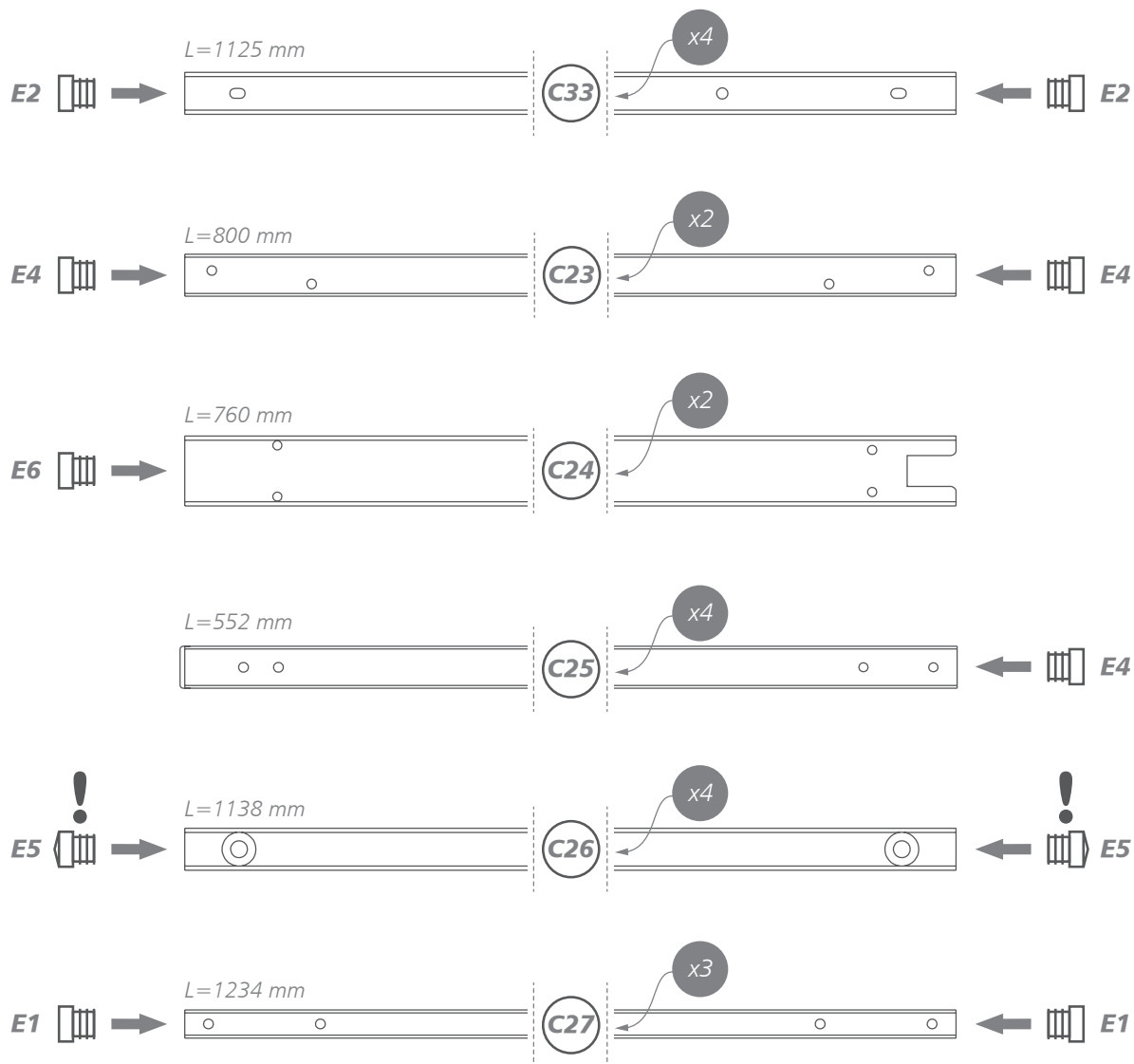
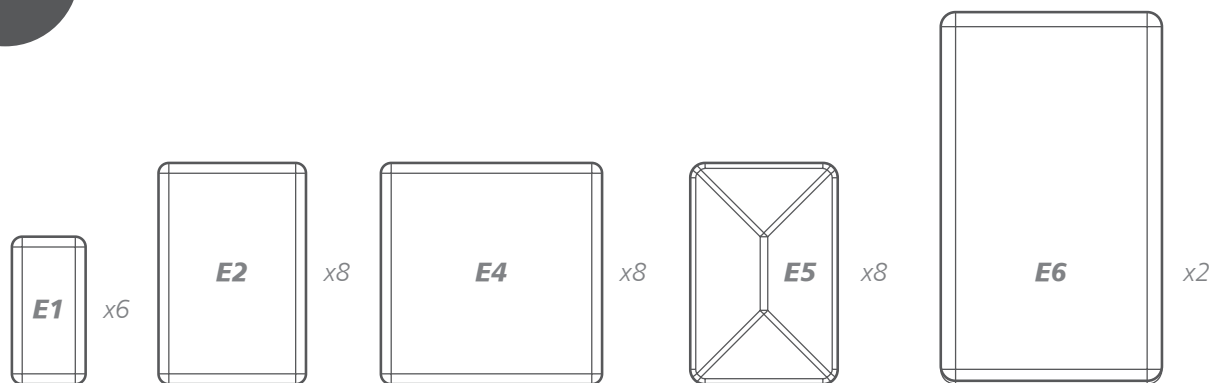


A9 x4



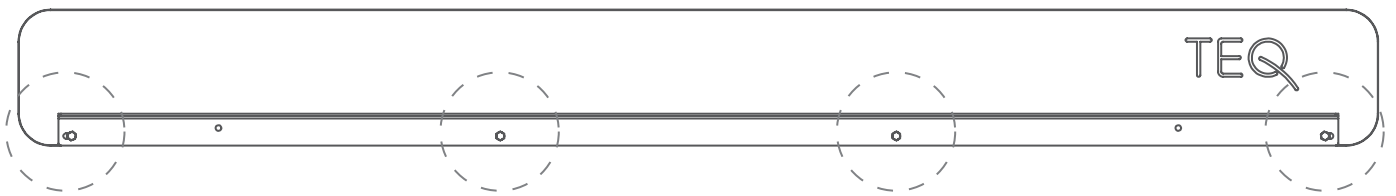
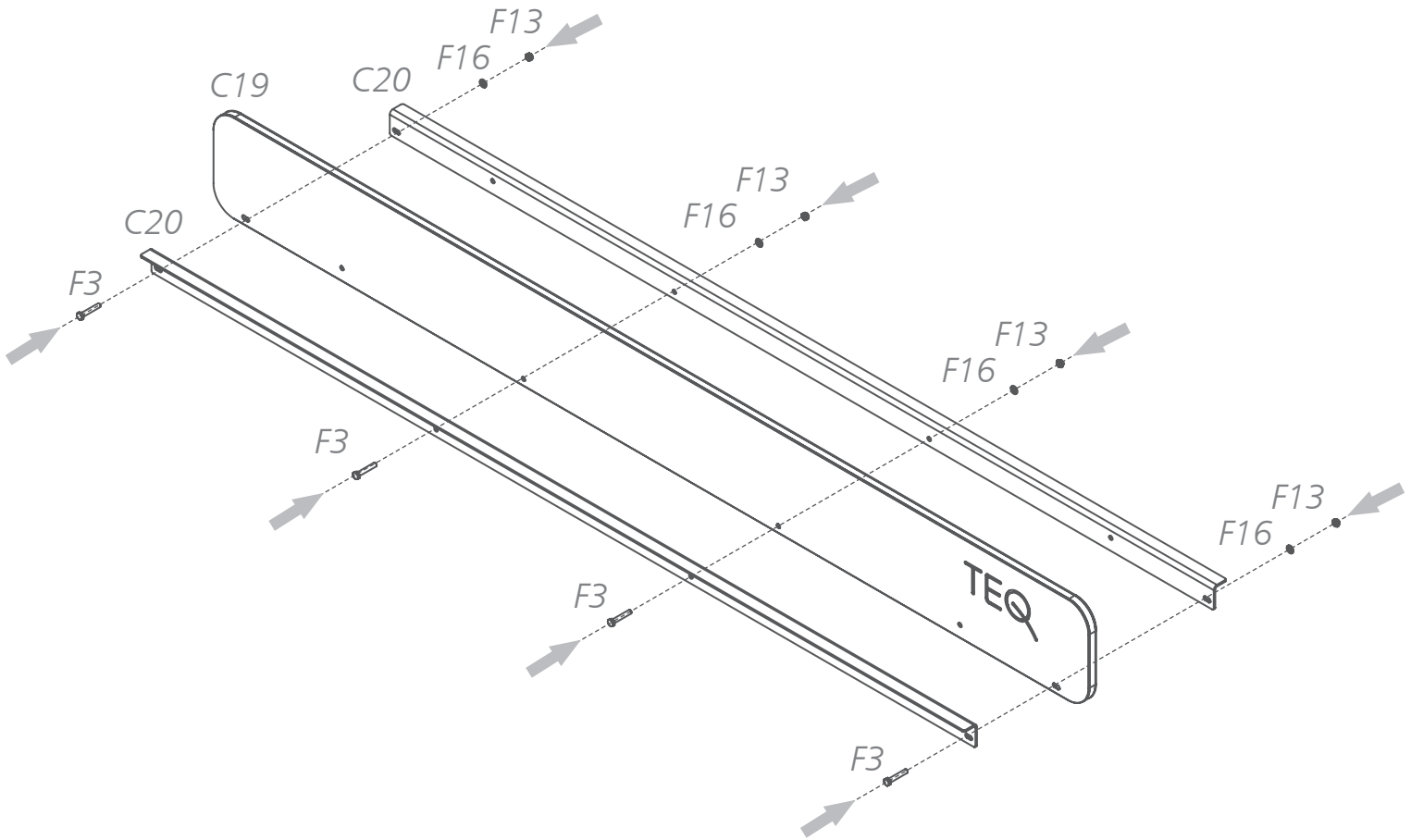
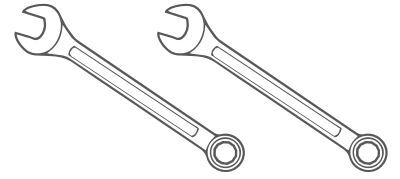
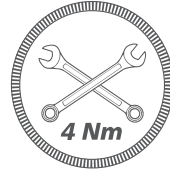


1.





2. x1



Σ C19 x1



C20 x2



F3 x4



M6x35

F13 x4



M6

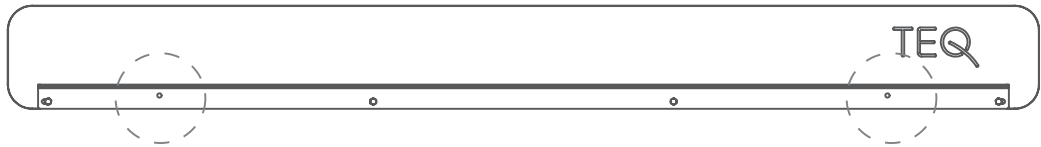
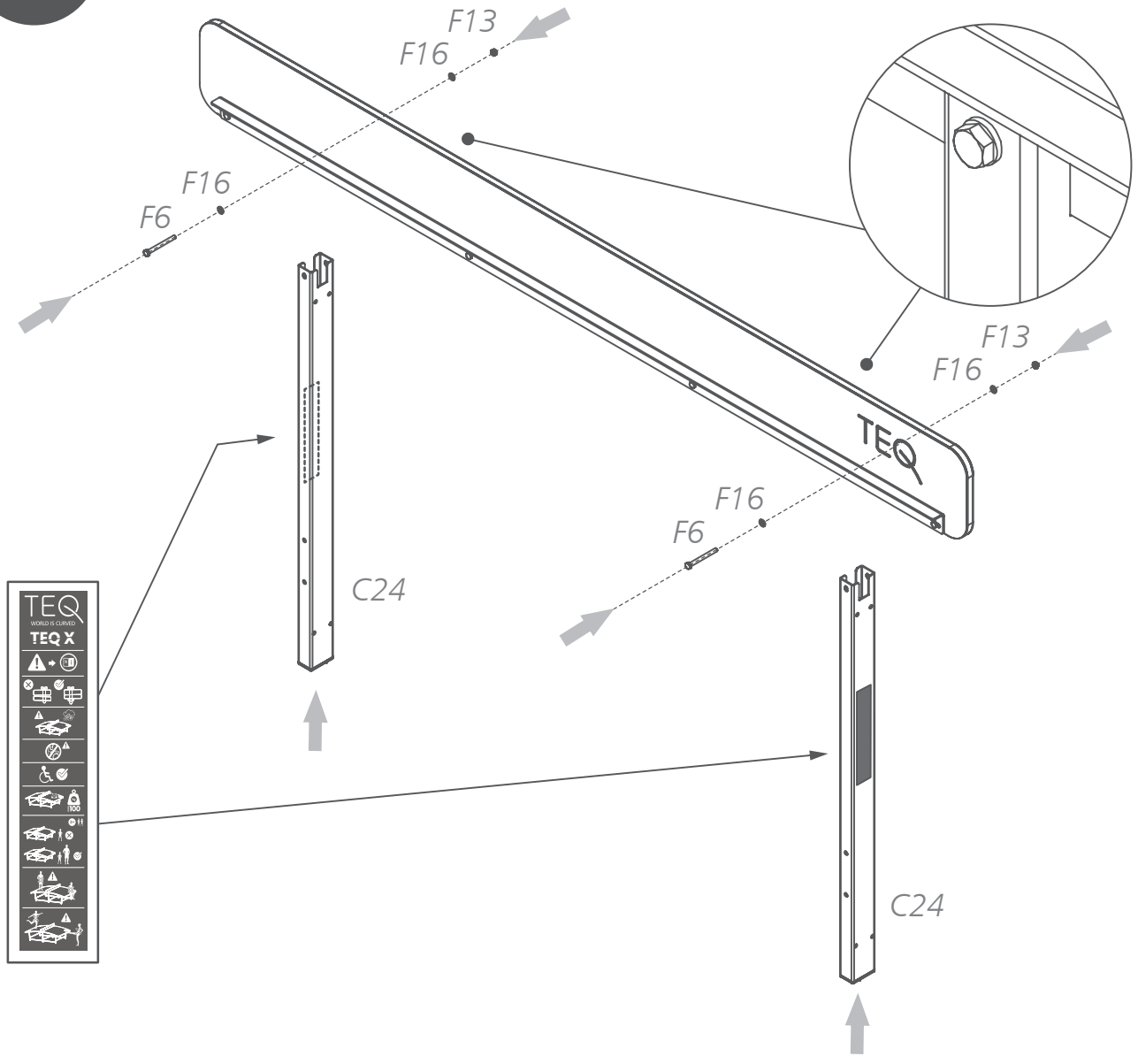
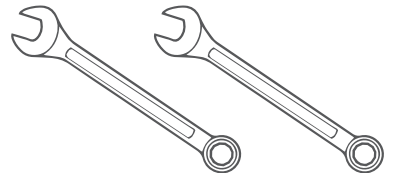
F16 x4



D6



3. x1



- Σ C24 x2

 L=760 mm
- F6 x2

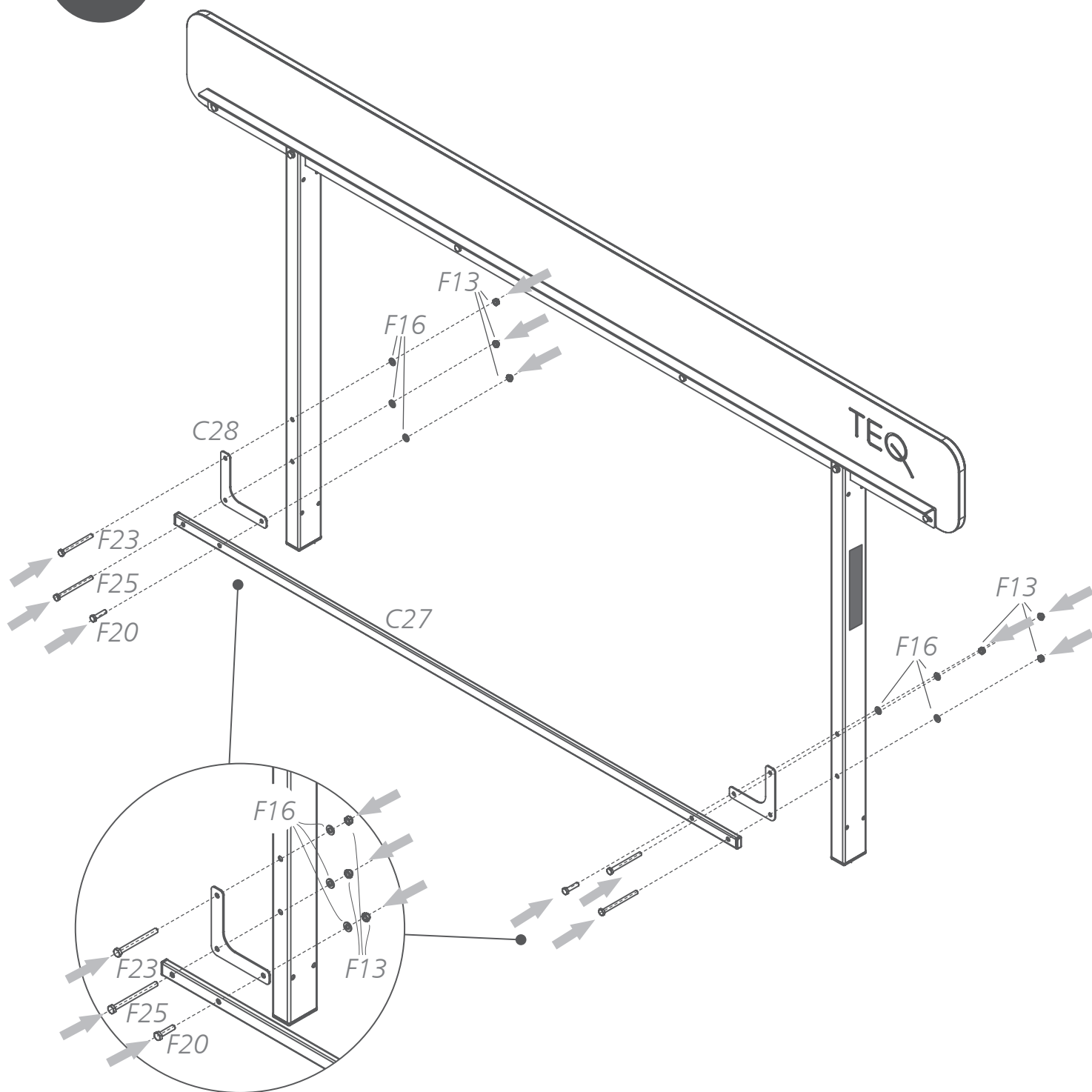
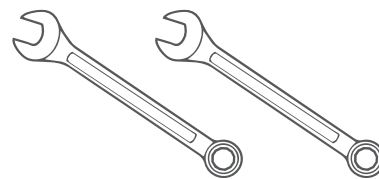
 M6x60
- F13 x2

 M6
- F16 x4

 D6



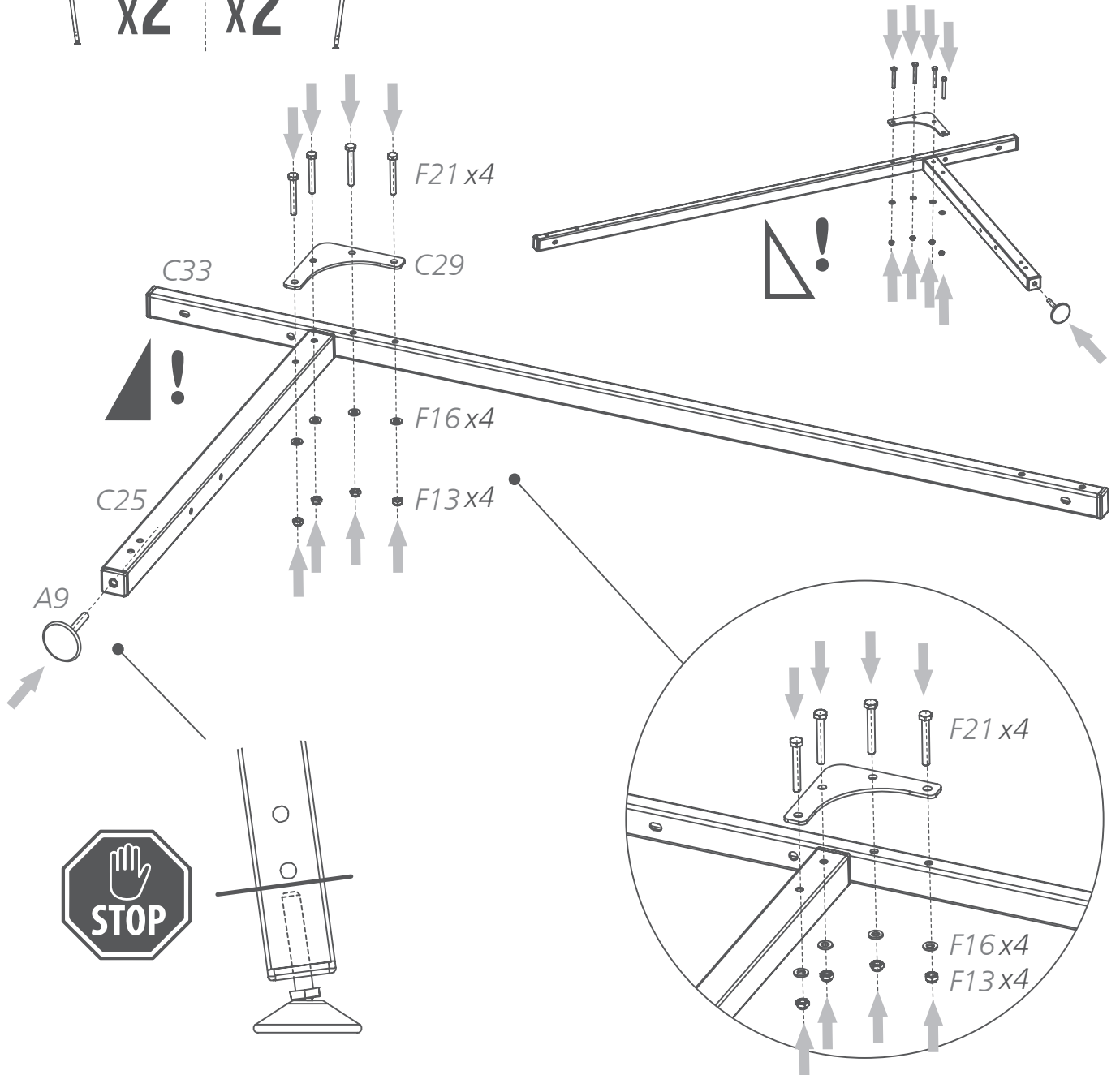
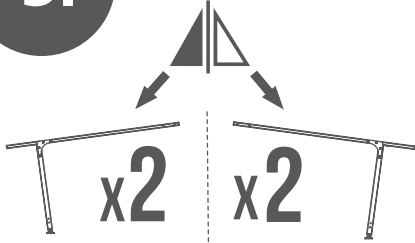
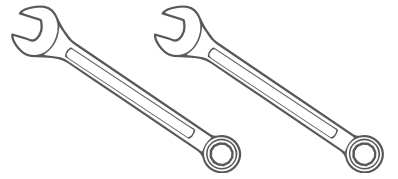
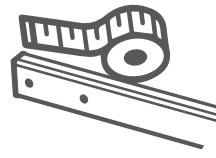
4. x1



- | | | | | | | |
|---|---|---|---|--|---|---|
| Σ C27 x1 | C28 x2 | F20 x2 | F23 x2 | F25 x2 | F13 x6 | F16 x6 |
|  |  |  |  |  |  |  |
| L=1234 mm | | M6x25 | M6x65 | M6x75 | M6 | D6 |



5. x4



Σ C33 x4

C25 x4

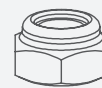
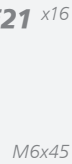
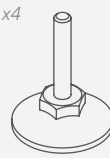
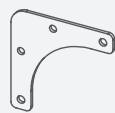
C29 x4

A9 x4

F21 x16

F13 x16

F16 x16



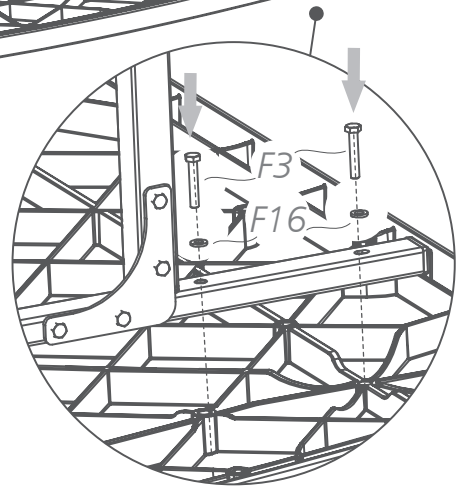
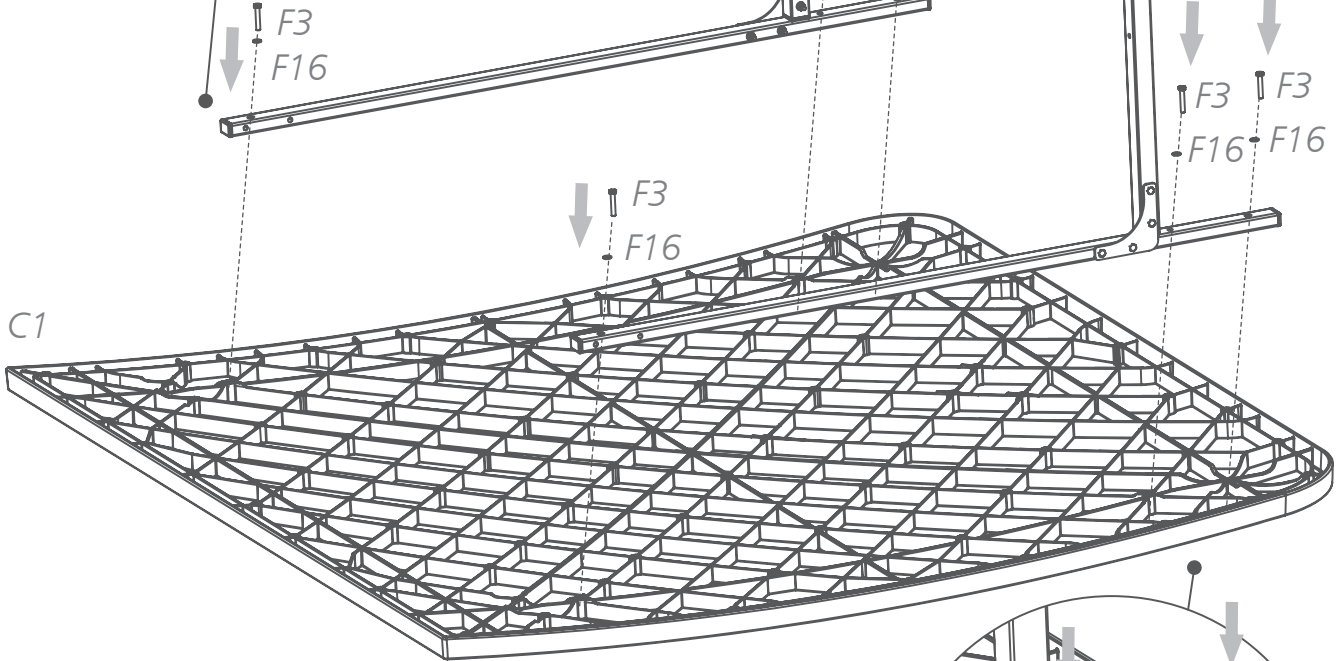
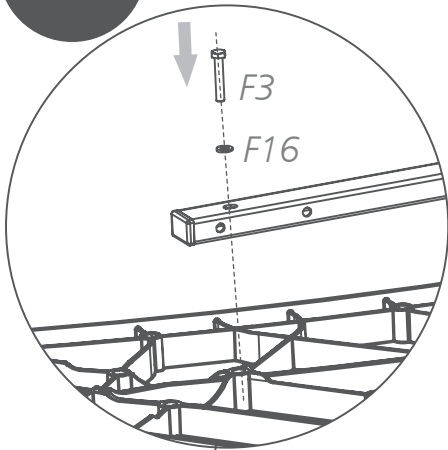
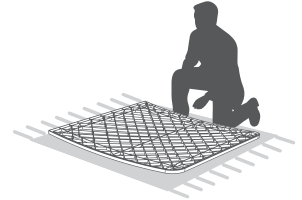
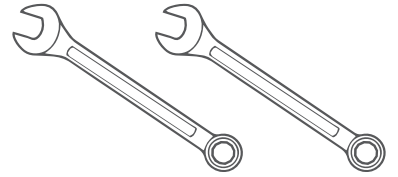
M6



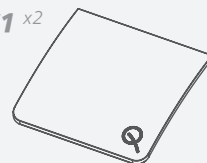
D6



6. x2



Σ C1 x2



F3 x12



M6x35

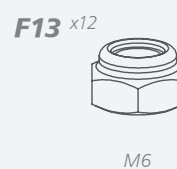
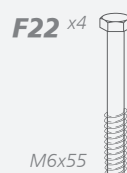
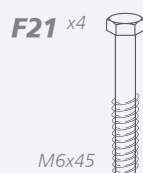
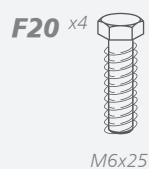
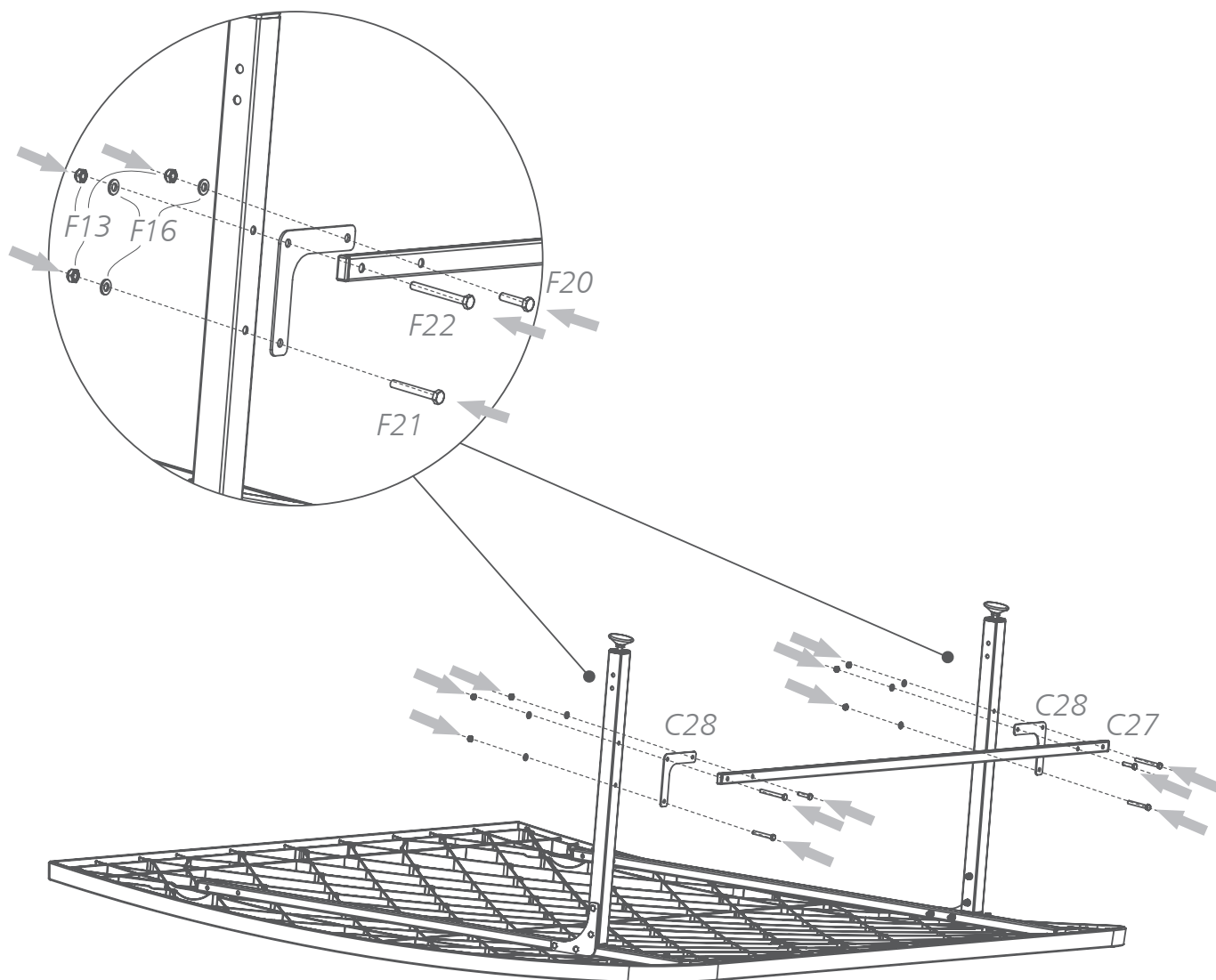
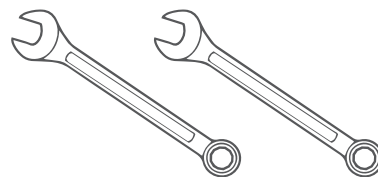
F16 x12



D6

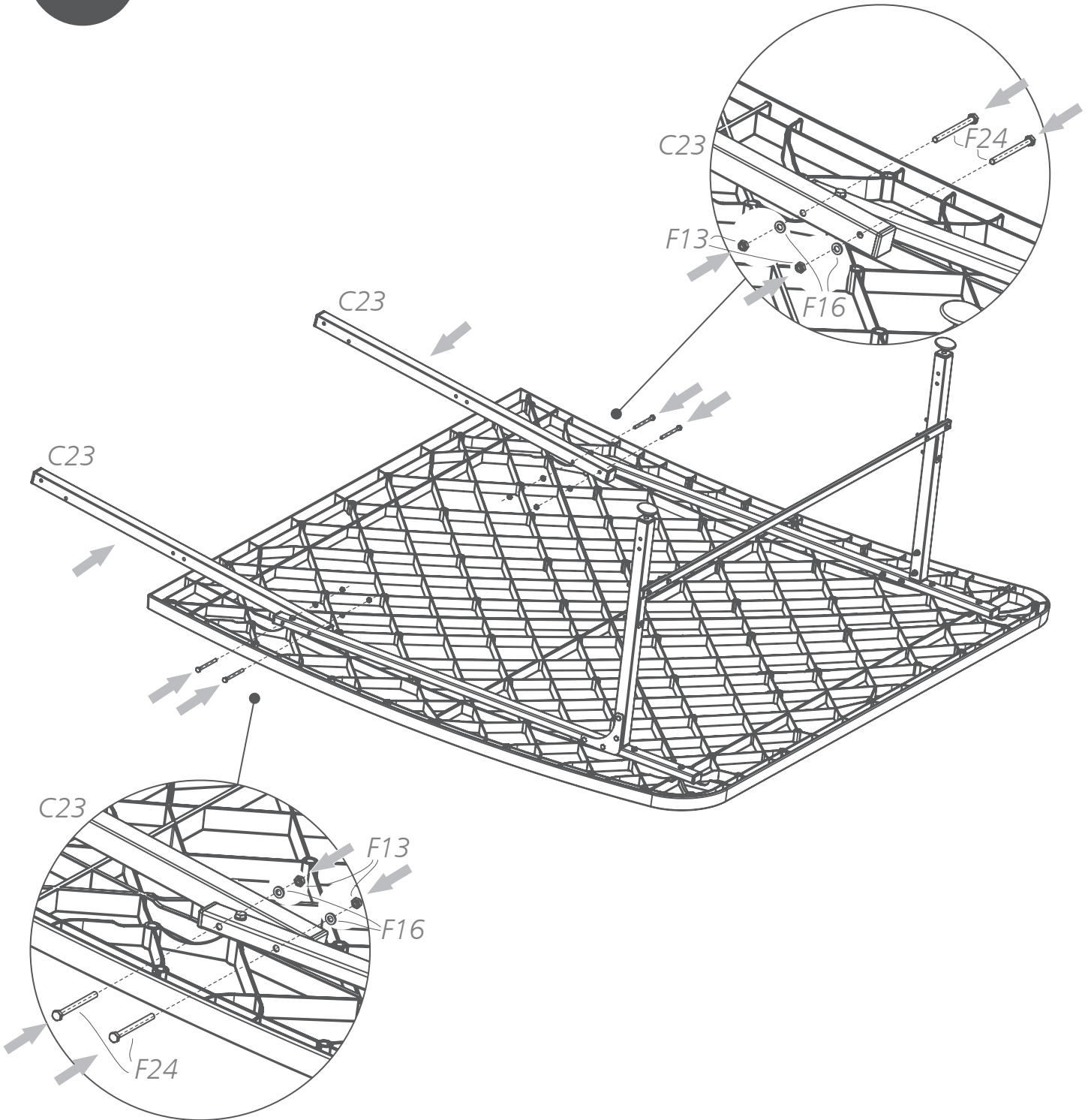
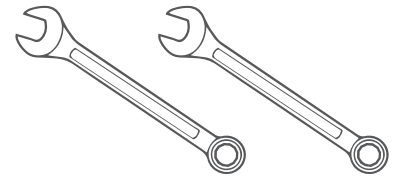


7. x2





8. x1



Σ C23 x2



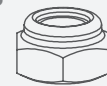
L=800 mm

F24 x4



M6x70

F13 x4



M6

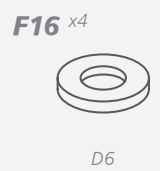
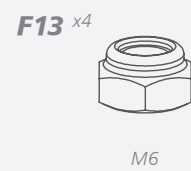
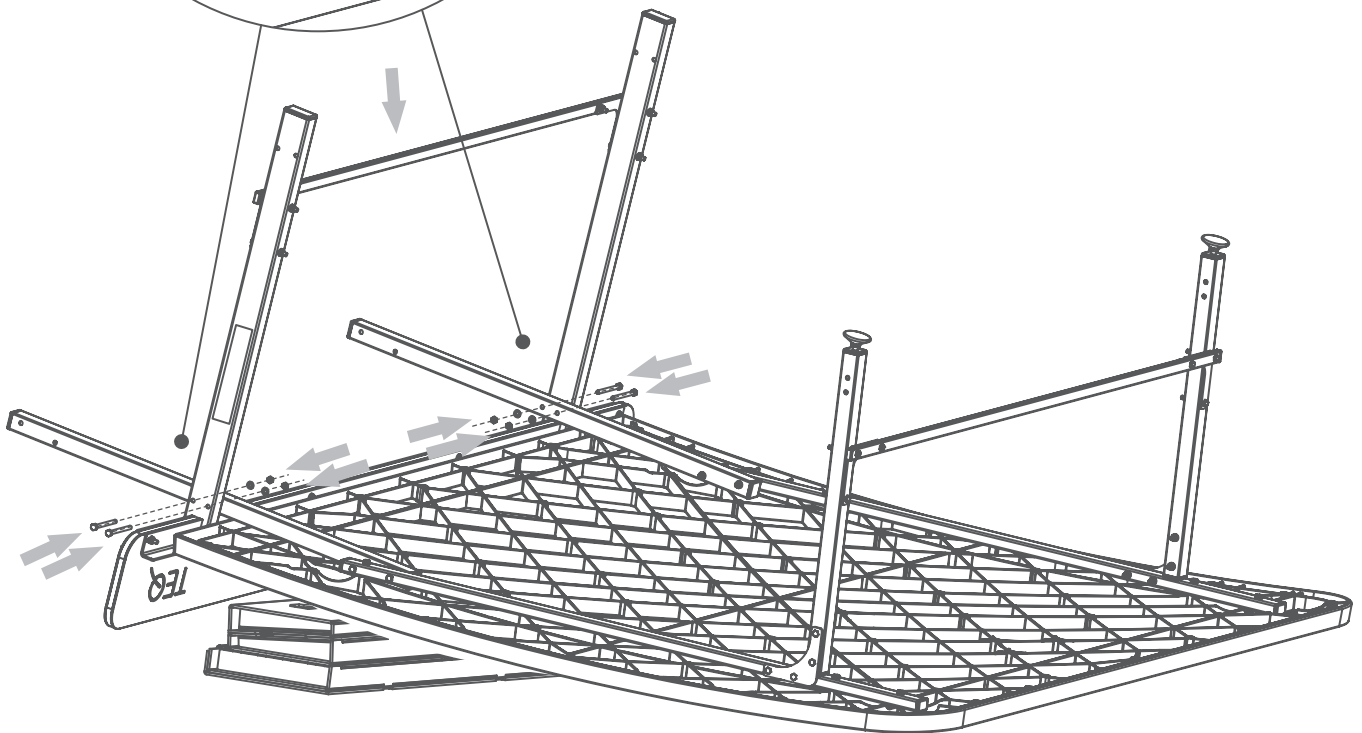
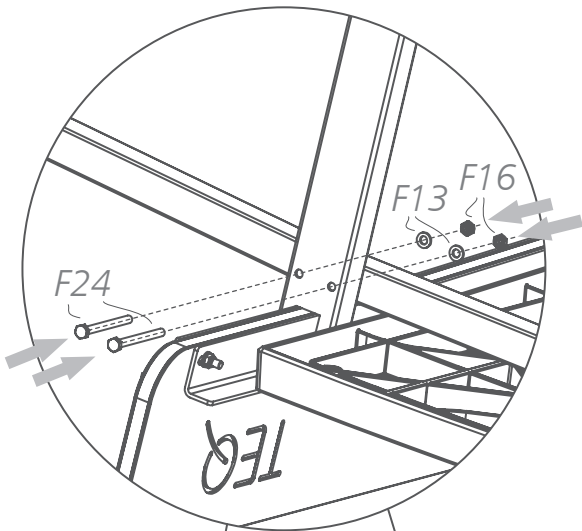
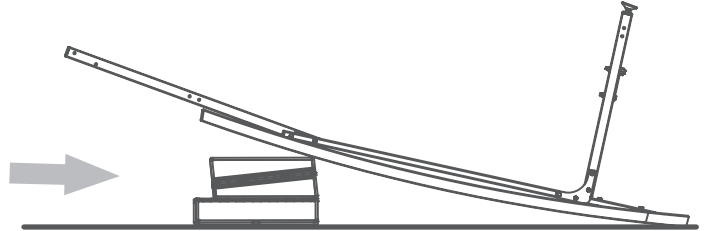
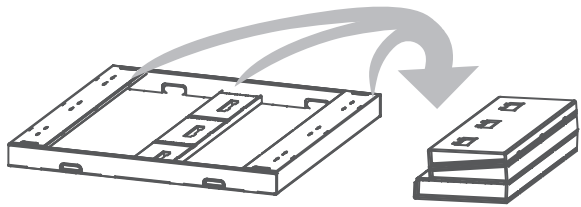
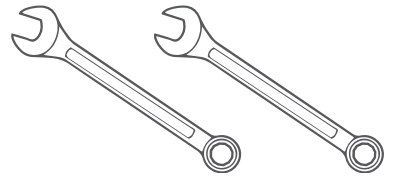
F16 x4

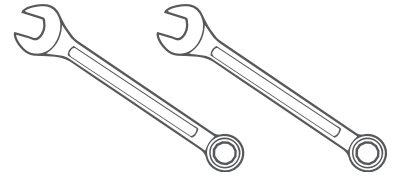
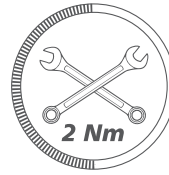


D6

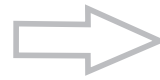
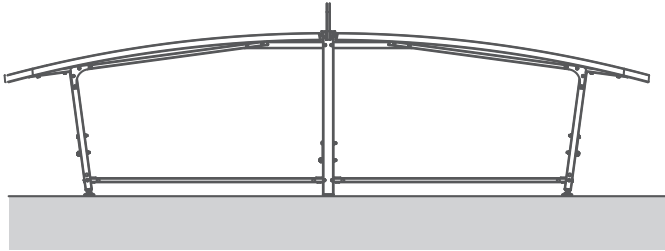


9. x1



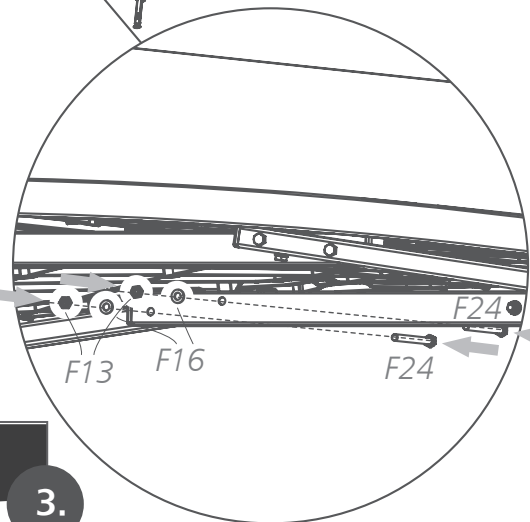
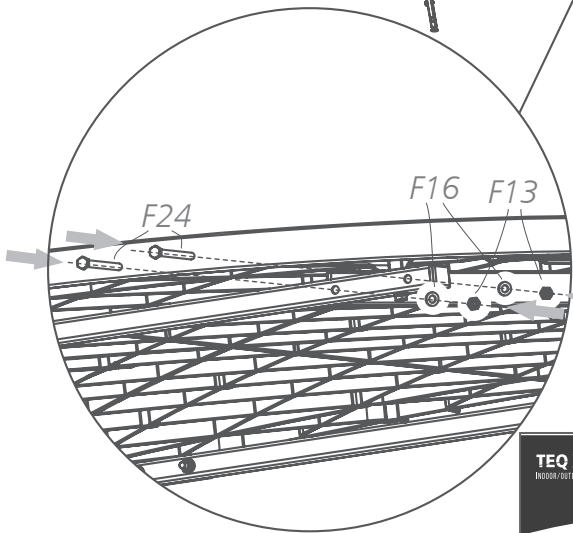
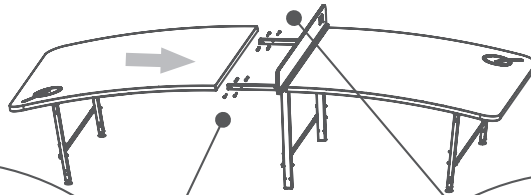
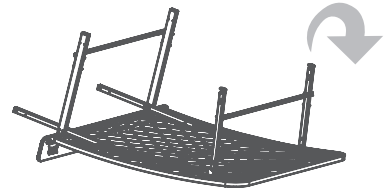
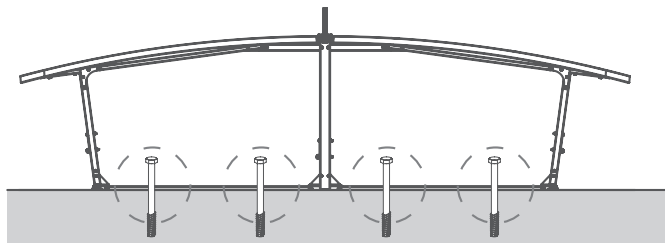


10A



11.

10B



Σ F24 x4

F13 x4

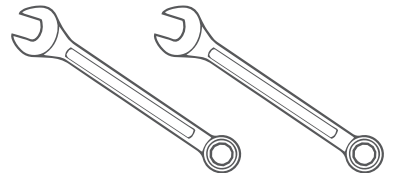
F16 x4



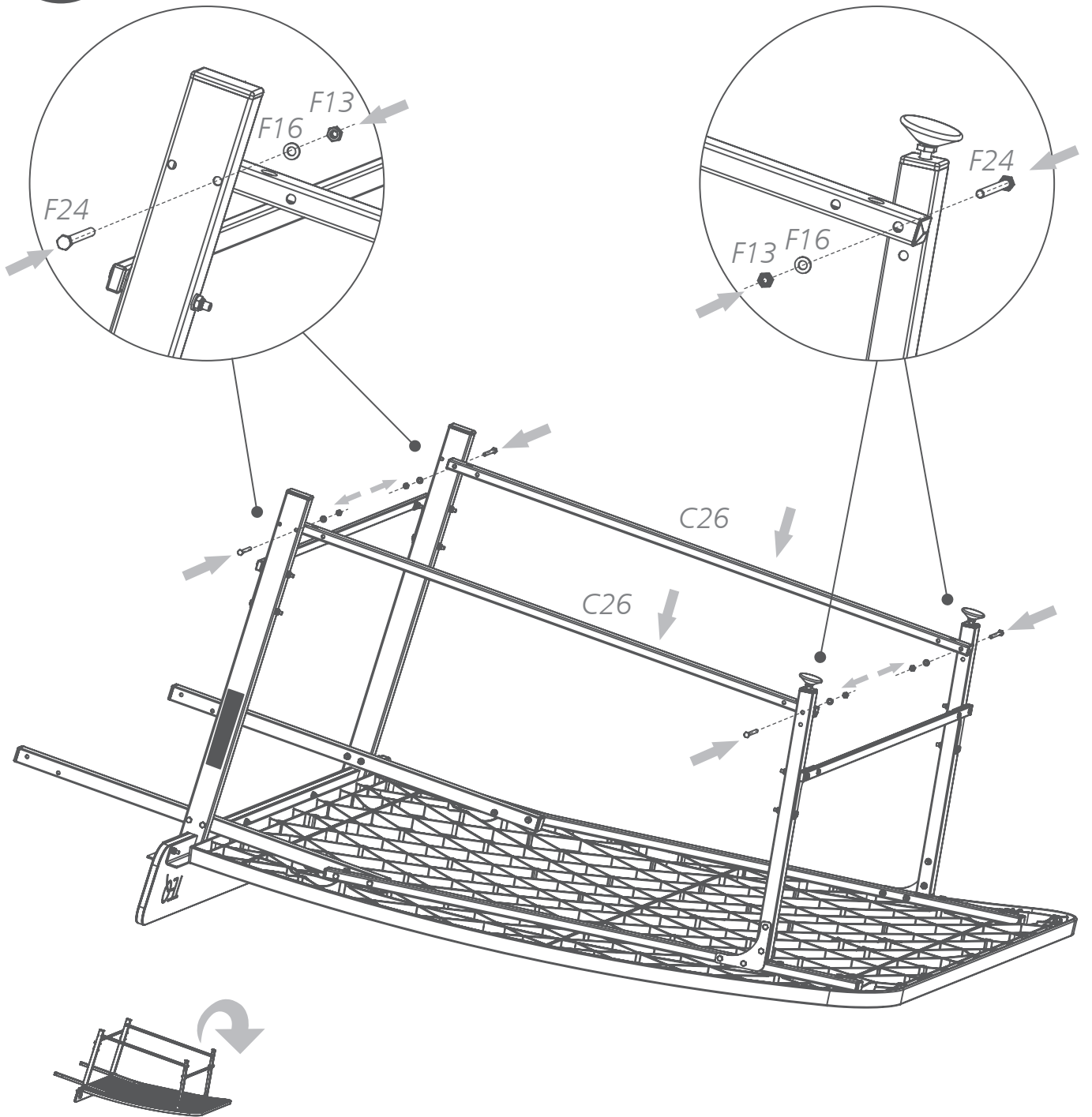
M6x70

M6

D6



11. x1



Σ C26 x2



L=1138 mm

F24 x4



M6x70

F13 x4



M6

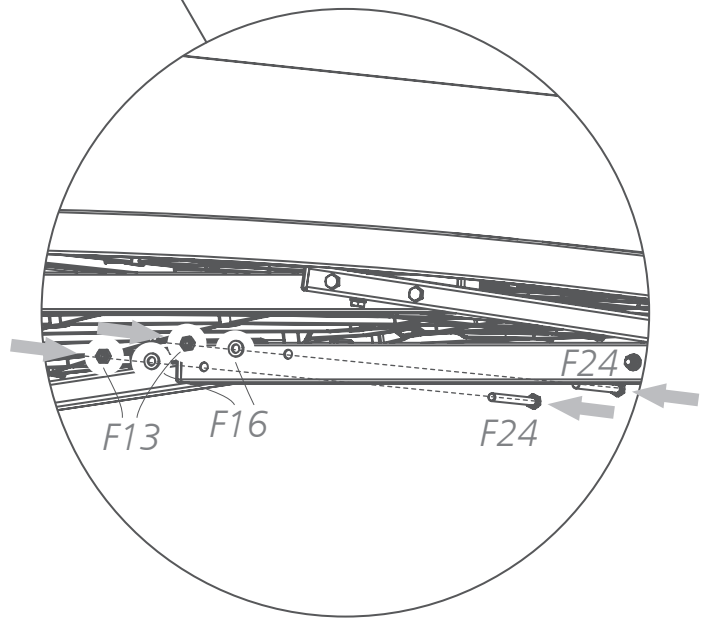
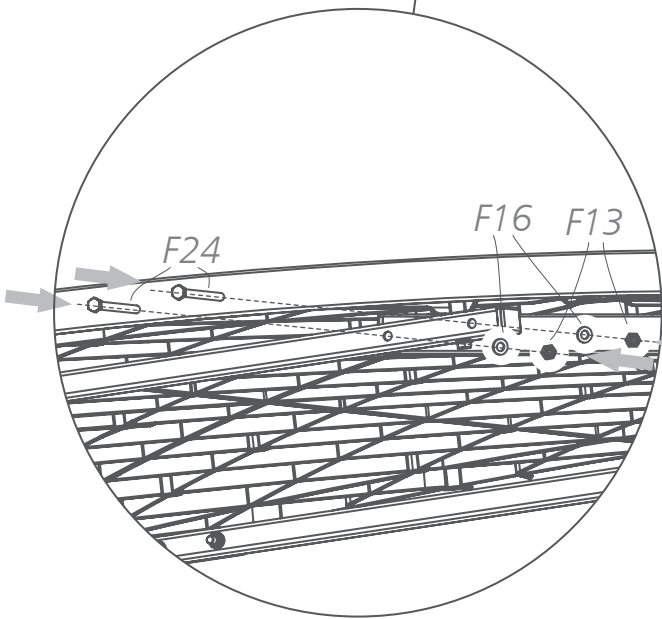
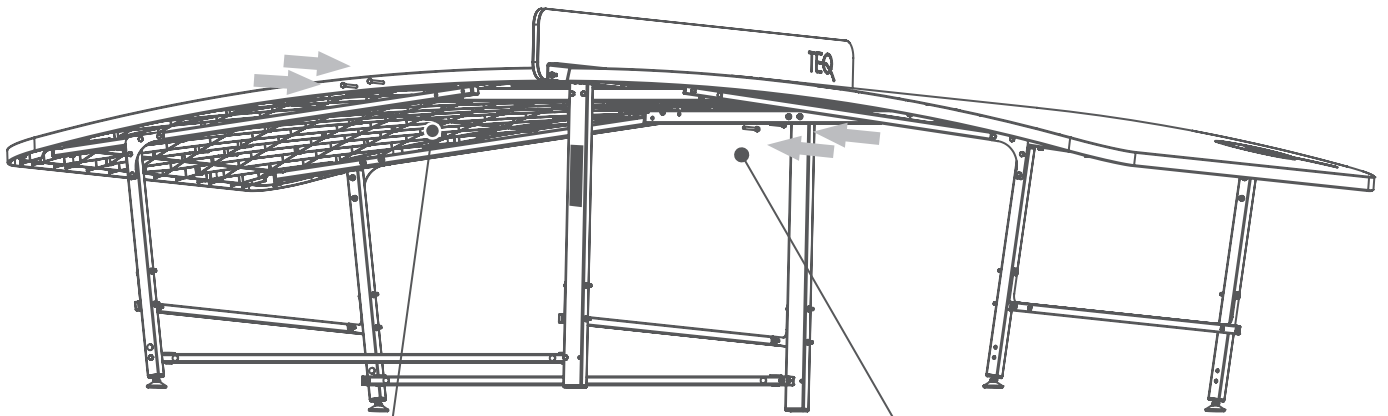
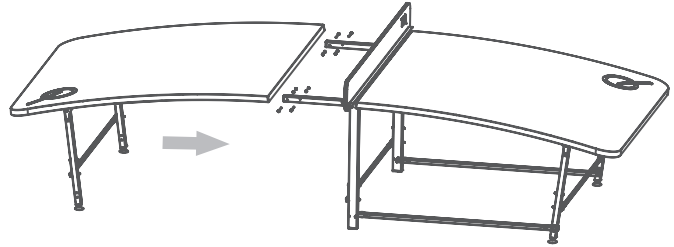
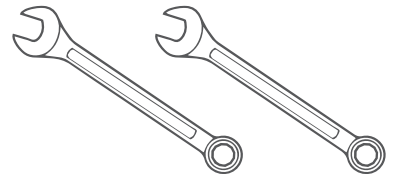
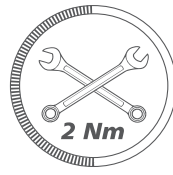
F16 x4



D6



12. x1



Σ F24 x4

F13 x4

F16 x4

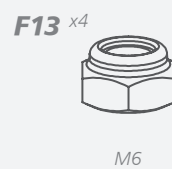
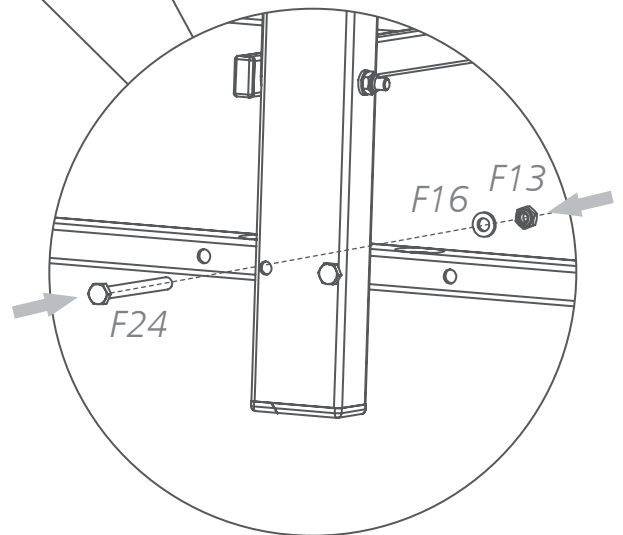
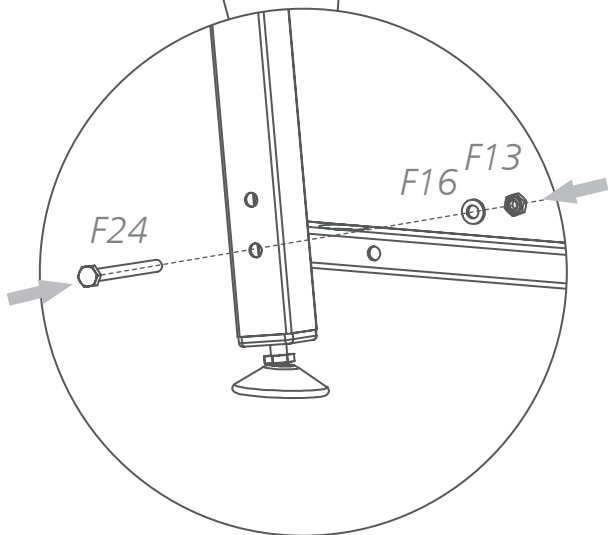
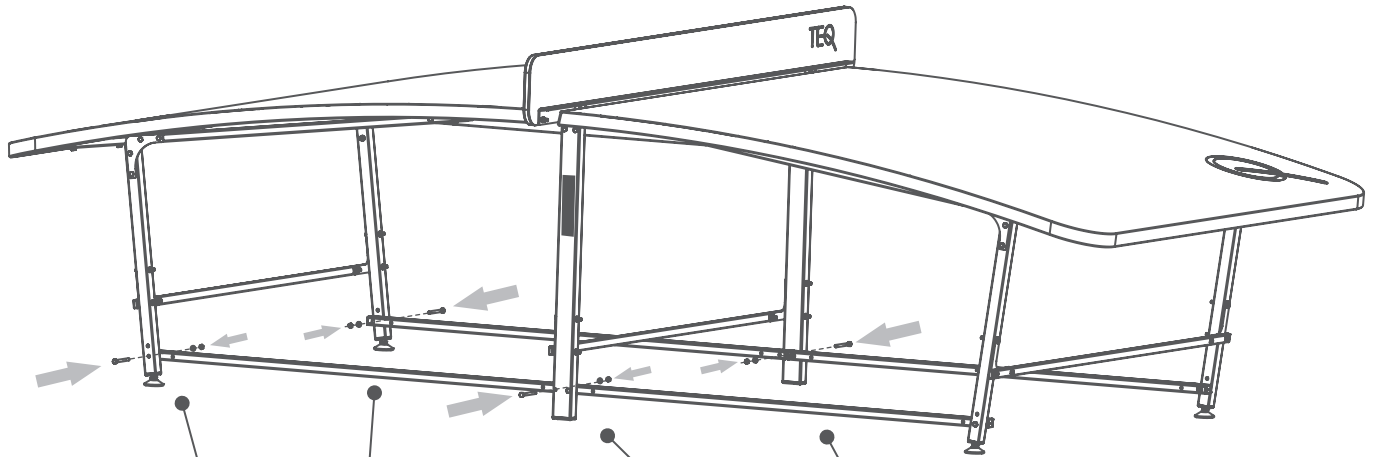
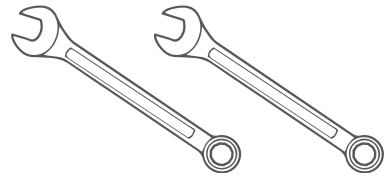
M6x70

M6

D6

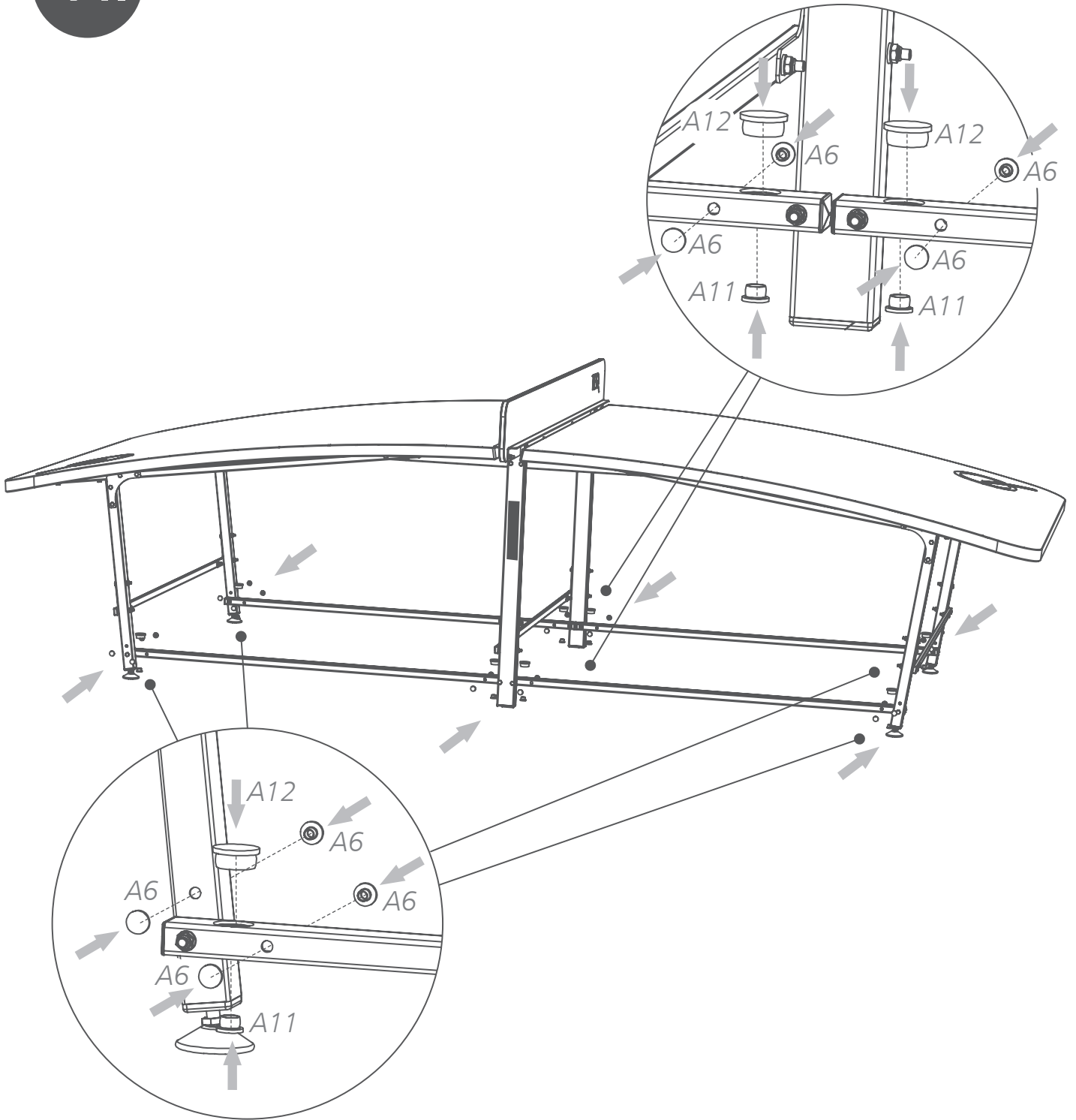


13. x1

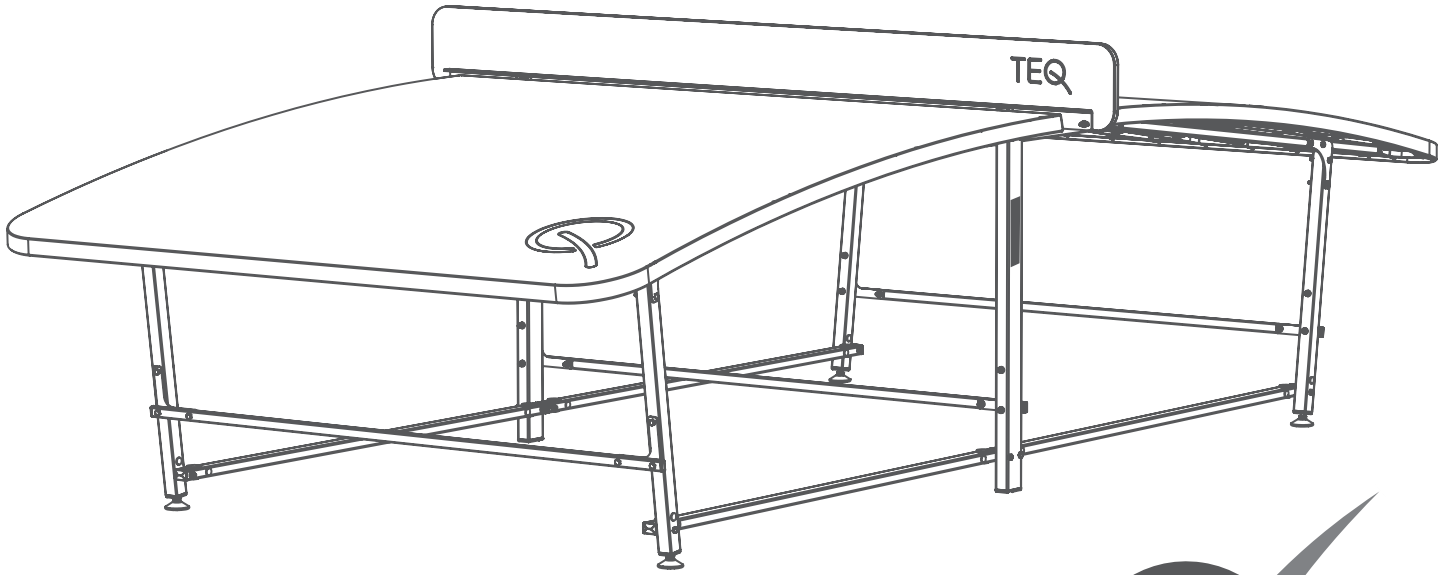


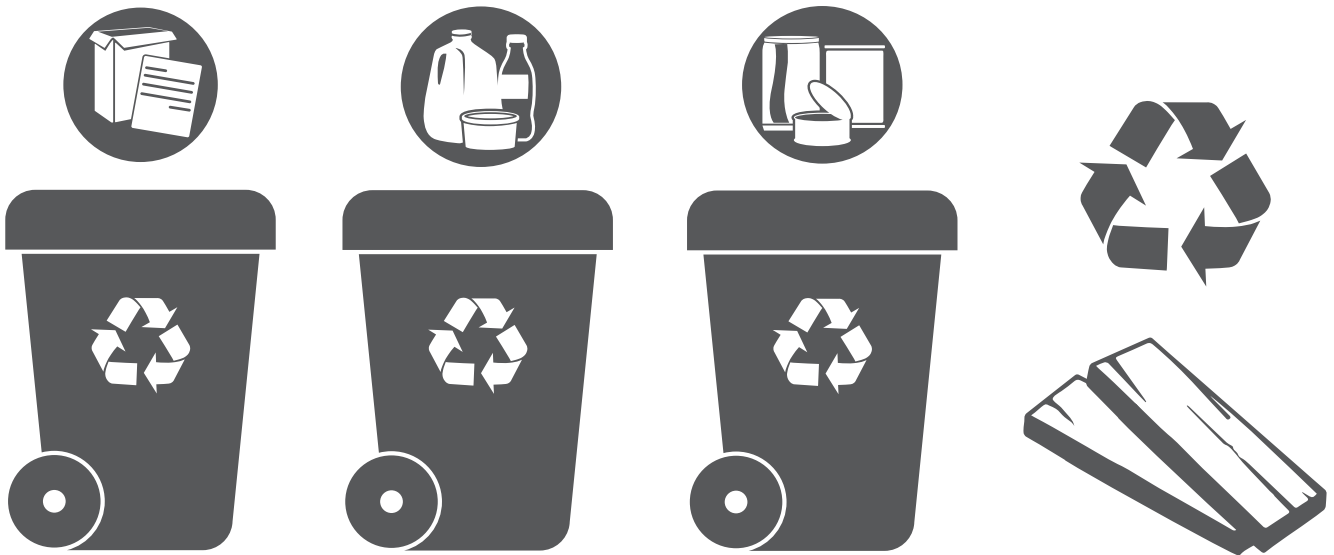


14. x1



- Σ A6 x24  A11 x8  A12 x8 





**WORLD IS
WORLD IS
CURVED**

TEQ X

**OWNER'S
MANUAL**



2191-092320AA